



(GB)

**STORAGE RACK
MOUNTING INSTRUCTIONS**

(FR)

**SUPPORT DE RANGEMENT
INSTRUCTIONS D'INSTALLATION**

(DE)

**LAGERGESTELL
MONTAGEANLEITUNG**

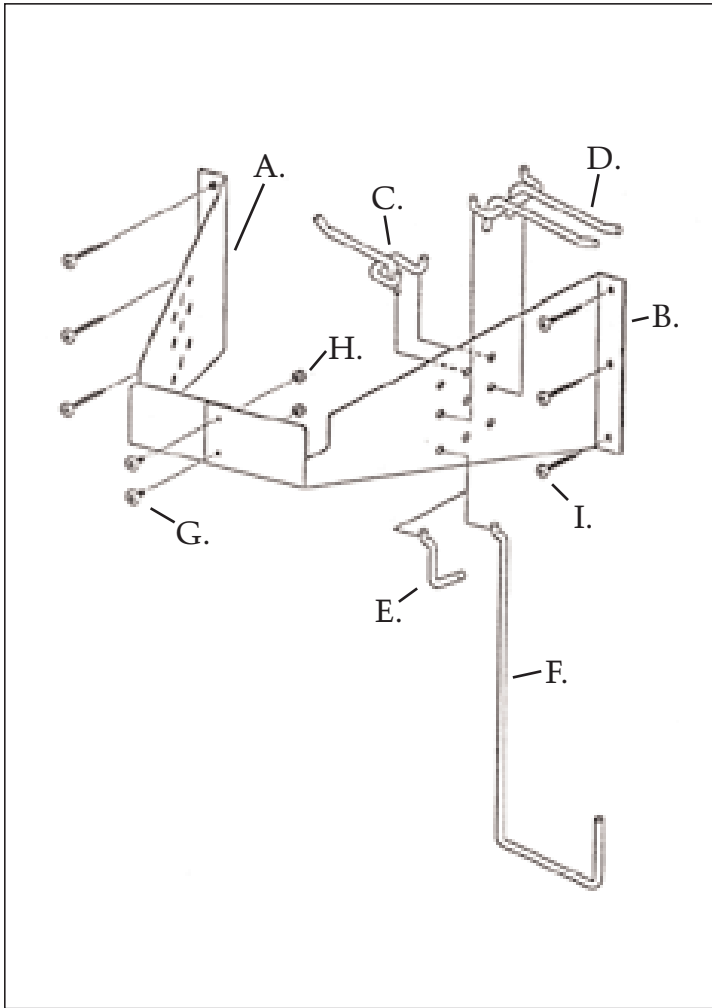
(NL)

**OPSLAGREK
MONTAGE-INSTRUCTIES**

(IT)

**SUPPORTO APPENDI-ATTREZZI
ISTRUZIONI PER IL MONTAGGIO**

GB STORAGE RACK MOUNTING INSTRUCTIONS



1. Position the LH and RH brackets (A, B) on a flat surface so the front flaps overlap and align the 2 holes on the front of each bracket as shown. Insert a 10-24 x 13 mm (G) bolt through each hole and thread a lock nut on each bolt. Holding the brackets to the surface use a screwdriver and adjustable wrench to secure the bolts tightly.
2. Determine the wall location where you will mount the storage unit. The bracket must be mounted to insure adequate holding power for the fasteners. **DO NOT FASTEN TO AN UNSUPPORTED WALL!**
3. Determine a comfortable height above the floor for storage of your tiller and attachments. Note: The bracket must be mounted with the top of the bracket at least 112 mm above the floor and level to insure the Mantis tiller will be suspended.
4. When the bracket is located, level, and at the comfortable height so the holes in each wall flange are directly over a wall stud, mark the location of all three holes in each flange.
5. Carefully drill 5/32"/4 mm holes to a depth of approximately 1 1/2"/38 mm at each marked location.
6. Position the brackets so the holes in the brackets are in line with the drilled holes. Using a Phillips screwdriver attach a #12 x 1 1/2"/38 mm screw (I) through each hole and into the wall stud.
7. Recheck all screws and bolts to assure they are secure.
8. Arrange the wire hooks (C, D, E, F) in the bracket holes as shown to store the various attachments.

Remove all hardware from the box. You will have:

Qty	Description	Key-No.
1	Bracket Wall Mounting LH	A
1	Bracket Wall Mounting RH	B
2	Hook Single 75mm	C
2	Hook Double 100mm	D
1	Hook Straight 38 mm (1 1/2 Inch) .	E
2	Hook J Storage Rack	F
2	Bolt 10-24 x 13mm	G
2	Nut Locking 10-24	H
6	Screw Self Tap #12 x 38mm	I

Tools required:

- Phillips screwdriver**
- Adjustable wrench**
- Drill**
- 4 mm/5/32" drill bit**
- Tape measure**

Item No.	Key No.	Description
410141	A.	Bracket Wall Mounting LH
410142	B.	Bracket Wall Mounting RH
410143	C.	Hook Single 75mm
410144	D.	Hook Double 100mm
410145	E.	Hook Straight 38 mm (1 1/2 Inch)
410146	F.	Hook J Storage Rack
410518	G.	Bolt 10-24 x 13mm
410519	H.	Nut Locking 10-24
410520	I.	Screw Self Tap #12 x 38mm