



OPERATOR / PARTS MANUAL MANUEL D'UTILISATION BETRIEBSANLEITUNG

Cordless leaf blower - Translation of the original Operating Instructions

Warning! Read through the operating instructions carefully and observe the instructions contained therein. Familiarise yourself with the machine, its correct use and the safety devices by means of these operating instructions.

Souffleur à batterie - Traduction du mode d'emploi d'origine

Attention! Lisez attentivement la notice d'utilisation et respectez-en les consignes. Cette notice vous permettra de vous familiariser avec l'appareil, avec son utilisation correcte et avec les prescriptions de sécurité.

Akku-Laubbläser - Originalbetriebsanleitung

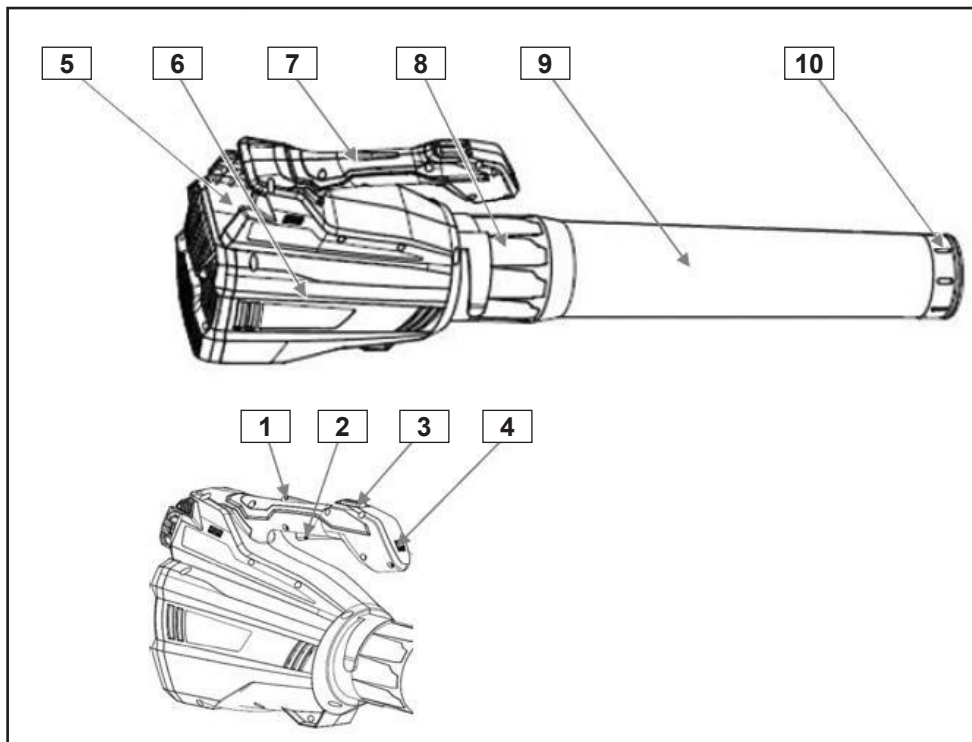
Achtung! Lesen Sie diese Hinweise zur Handhabung des Gerätes aufmerksam durch. Verwenden Sie das Gerät erst, wenn Sie sich sicher sind, dass Sie alle Anweisungen verstanden haben.

BBL0W40-25 *



* IAB 40-25

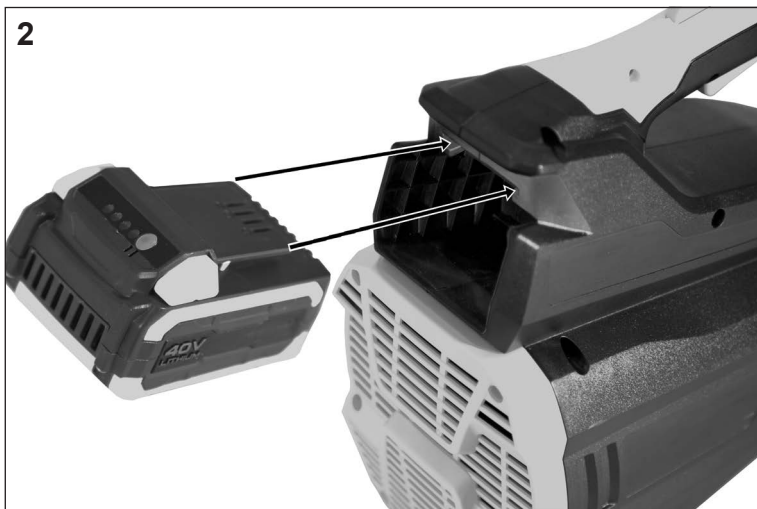
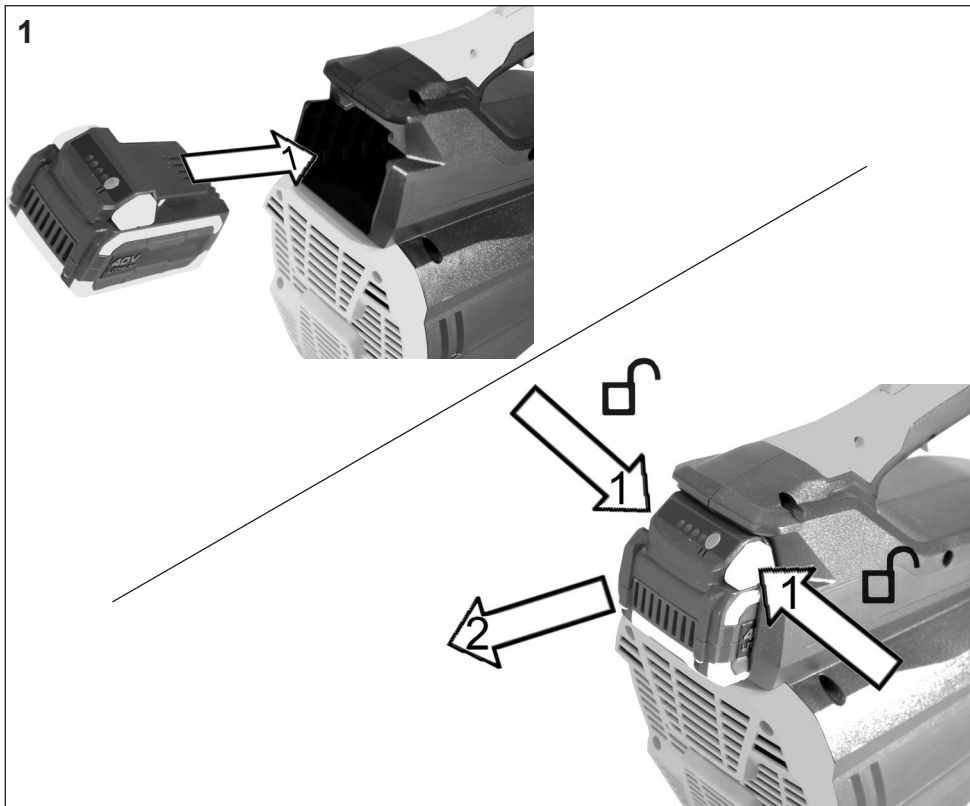




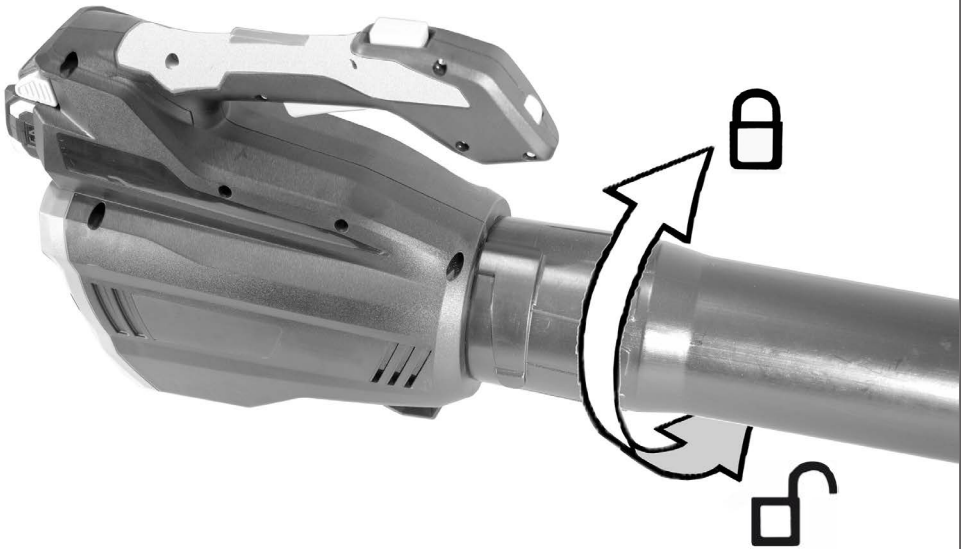
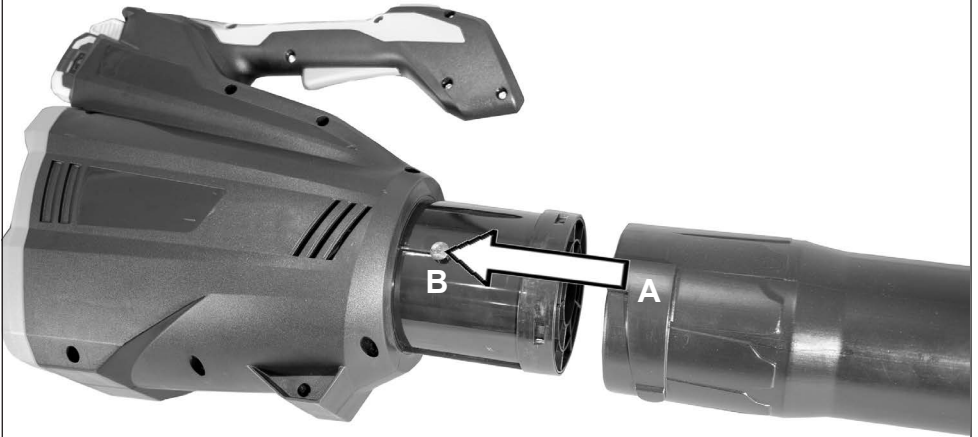
- GB**
- 1 Switch safety lock
 - 2 On/off switch
 - 3 Turbo switch
 - 4 Speed control
 - 5 Battery Holder
 - 6 Motor housing
 - 7 Handle
 - 8 Blow tube connection
 - 9 Blow tube
 - 10 Blow tube protection

- FR**
- 1 Bouton de sécurité
 - 2 Bouton marche/arrêt
 - 3 Bouton turbo
 - 4 Régulateur de vitesse
 - 5 Support de batterie
 - 6 Carter du moteur
 - 7 Poignée
 - 8 Raccord du tuyau de soufflage
 - 9 Tuyau de soufflage
 - 10 Protection du tuyau de soufflage

- DE**
- 1 Einschaltsperr
 - 2 Ein- Ausschalter
 - 3 Turbotaste
 - 4 Drehzahlregler
 - 5 Akku-Aufnahme
 - 6 Motorgehäuse
 - 7 Handgriff
 - 8 Blasrohr-Anschluss
 - 9 Blasrohr
 - 10 Blasrohr-Schutz



3



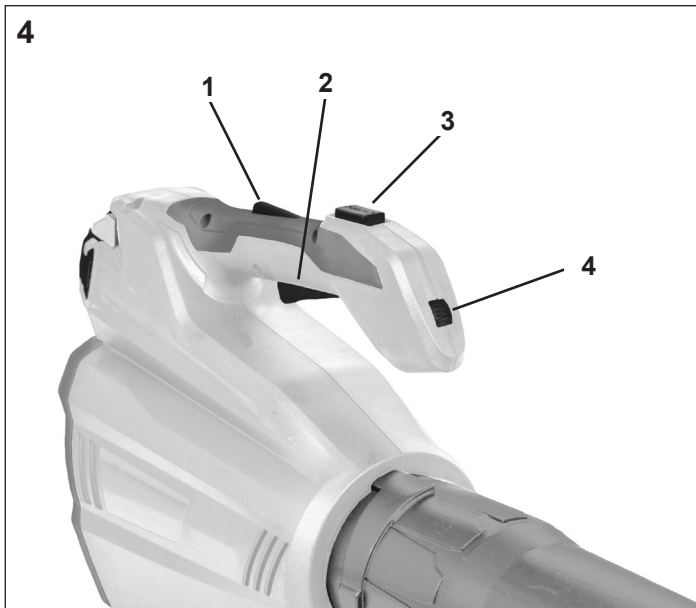


Illustration and explanation of pictograms

The following symbols are used on this electric tool. You can operate this electric tool more safely and effectively with the correct interpretation of these symbols.

Représentation et explication des pictogrammes

Les symboles suivants sont utilisés sur cet appareil électrique. Vous pourrez utiliser cet appareil en toute sécurité et de manière plus efficace en interprétant correctement ces pictogrammes.

Abbildung und Erklärung der Piktogramme

Folgenden Symbole werden auf diesem Elektrowerkzeug verwendet. Mit der richtigen Interpretation dieser Symbole können Sie das Elektrowerkzeug sicherer und effektiver bedienen.



GB

- 1 WARNING SYMBOL** Indicates danger, safety notes or causes for particular caution. This symbol may occur in combination with other symbols or pictograms.
- If you do not adhere to the instructions and safety measures described in the Operating Instructions severe injuries may occur. Read the Operating Instructions before you start and operate this device.
- Do not use the tool under wet weather conditions!
- 4 WEAR EYE AND EAR PROTECTION**
WARNING: Thrown-about objects may lead to serious injuries of the eyes, heavy noise may lead to hearing losses. Always wear eye and ear protection when operating this device.
- 5 DANGER OF INJURY !** Beware of hurled-away objects. Keep bystanders away.
KEEP OTHER PERSONS IN DISTANCE
WARNING: When operating the device, take care that no other persons are nearby (safe distance: 5m). This is particularly valid for children and animals.
- 6 WARNING! Rotating Fans.** Keep hands and feet out of the openings while the machine is running.
WARNING! Dangerous feed orifice. Keep hands and feet out of the openings while the machine is running.
- Always remove the rechargeable battery before inspection and adjustment work.
- Observe a safety distance of at least 5 m from other persons.
- This device may not be disposed of with general/household waste. Dispose of only at a designated collection point.
- 10** Confirms the conformity of the electric tool with the Directives of the European Community.
- 11** Guaranteed acoustic capacity level LWA 96 dB(A)

FR

- 1 **SYMBOLE D'AVERTISSEMENT** Signale un danger, un risque ou une raison particulière d'être prudent. Peut être utilisé avec d'autres symboles ou pictogrammes.
- 2 **LISEZ ATTENTIVEMENT LE MODE D'EMPLOI** Au cas où vous n'observeriez pas les précautions d'emploi et les mesures de sécurité du mode d'emploi, de graves accidents pourraient se produire. Lisez attentivement le mode d'emploi avant de mettre l'appareil en service et avant son utilisation.
- 3 Ne pas laisser cet outil électrique sous la pluie!
- 4 **PORTEZ TOUJOURS DES PROTECTIONS POUR LES YEUX ET LES OREILLES**
ATTENTION: les projectiles peuvent provoquer de graves lésions des yeux, un niveau de bruit trop élevé peut entraîner la perte de l'ouïe. Portez donc toujours des protections pour les yeux et les oreilles lorsque vous utilisez l'appareil.
- 5 **RISQUE DE BLESSURE!** Prenez garde aux objets projetés. Tenir le public à bonne distance.
MAINTENEZ LES AUTRES PERSONNES A BONNE DISTANCE.
ATTENTION: veillez à ce que personne ne se tienne à moins de 5 m de la zone de travail. Ceci vaut particulièrement pour les enfants et les animaux.
- 6 **ROUES À HÉLICES EN ROTATION!** Ne jamais mettre les pieds ou les mains dans les ouvertures pendant le fonctionnement de l'appareil.
ORIFICES DE FIXATION DANGEREUX Ne jamais mettre les pieds ou les mains dans les ouvertures pendant le fonctionnement de l'appareil.
- 7 Avant tout contrôle et travail de réglage, retirez toujours l'accumulateur.
- 8 Maintenez une distance de sécurité de 5 m minimum entre vous et les autres personnes.
- 9 **ATTENTION! PROTECTION DE L'ENVIRONNEMENT!** Le présent appareil ne peut en aucun cas être éliminé avec les ordures ménagères/déchets. Toujours déposer les appareils usagés dans un centre de collection.
- 10 Indique que cet appareil électrique est conforme aux directives de la Communauté européenne.
- 11 Niveau sonore garanti LWA 92 dB(A)

DE

- 1 **WARNSYMBOL** Zeigt Gefahr, Warnhinweise oder Grund zu besonderer Vorsicht an. Kann zusammen mit anderen Symbolen oder Piktogrammen verwendet werden.
- 2 Vor Inbetriebnahme und vor allen Wartungs-, Montage- und Reinigungsarbeiten Betriebsanleitung gründlich lesen.
- 3 Das Elektrowerkzeug nicht bei Regen benutzen oder dem Regen aussetzen.
- 4 **TRAGEN SIE AUGEN- UND GEHÖRSCHUTZ**
WARNUNG: Weggeschleuderte Gegenstände können zu schwerwiegenden Augenverletzungen, übermäßiger Lärm kann zum Verlust des Gehörs führen. Tragen Sie beim Betrieb dieses Gerätes Augen- und Gehörschutz.
- 5 **VERLETZUNGSGEFAHR!** Achten Sie auf weggeschleuderte Gegenstände. Anwesende fernhalten.
HALTEN SIE ANDERE PERSONEN AUF ABSTAND
WARNUNG: Achten Sie darauf, dass sich im Abstand von 5 m um den Arbeitsbereich niemand aufhält. Dies gilt insbesondere für Kinder und Tiere.
- 6 **ROTIERENDE FLÜGELRÄDER!** Hände und Füße bei laufendem Gerät nicht in die Öffnungen stecken.
GEFÄHRLICHE AUFNAHMEÖFFNUNG Hände und Füße bei laufendem Gerät nicht in die Öffnungen stecken.
- 7 Vor Überprüfung und Einstellarbeiten immer den Akku entfernen.
- 8 Halten Sie einen Sicherheitsabstand von mindestens 5 m zu Dritten ein.
- 9 Ausgemusterte Elektrowerkzeuge und andere elektrotechnische und elektrische Erzeugnisse getrennt sammeln und einer umweltgerechte Wiederverwertung zuführen.
- 10 Bestätigt die Konformität des Elektrowerkzeugs mit den Richtlinien der Europäischen Gemeinschaft.
- 11 Garantierter Schalleistungspegel LWA 96 dB(A)

CONTENT

Page

Illustrations	1 - 4
Illustration and explanation of pictograms	5 - 6
Content	
1. Proper use	GB-2
2. Safety information	GB-2
2.1 Work area	
2.2 Electrical safety	
2.3 Personal safety	
2.4 Power tool use and care	
2.5 Appropriate handling and use of battery-operated power tools	
2.6 Service	
2.7 Safety instructions for the charger and rechargeable battery	
2.8 General safety instructions	
2.9 Additional safety instructions for leaf blowers	
3. Unpacking	GB-5
4. Assembly	GB-5
4.1 Installing and removing the rechargeable battery	
4.2 Installing the blow tube	
5. Operation	GB-5
5.1 Starting and stopping	
5.2 Blowing function	
5.3 Working advice	
6. Cleaning and Storage	GB-6
7. Waste disposal and environmental protection	GB-6
8. Repair Service	GB-6
9. Spare parts	GB-6
10. Warranty	GB-7
11. Technical Specifications	GB-8
12. Declaration of Conformity	GB-9

Your leaf blower was developed and manufactured in accordance with the latest innovations and with high-quality materials to ensure a long lifespan and problem-free use whilst assuring the safety of the user. If it is maintained properly, your leaf blower (leaf vacuum) will give you years of good service.

1. Proper use

The leaf blower is intended for blowing leaves together in a desired direction or blowing them away from hard-to-reach places. The device is not suitable for use in buildings.

The device must not be used by children or infirm persons without supervision.

Charging the rechargeable battery

Only charge the rechargeable battery block with the charger provided by the manufacturer.

To protect against the danger of electrical shock, injury and burns, read and understand this operating manual completely before you charge the battery.

Improper use

All uses of the device which are not stated in the section 'Proper use' are considered improper use.

The leaf blower (leaf vacuum) must not be used for the following purposes:

- Use in enclosed spaces
- Use as a fan
- Grooming pet animals

There is a danger of injury.

The user of the device is liable for all property damage and personal injury resulting from improper use.

Use of other or non-original parts on the machine voids the manufacturer's warranty.

Residual risks

Even if the tool is used properly, there is always a residual risk that cannot be excluded. Due to the type and design of the tool, the following potential dangers may result:

- Unintentional starting of the product
- Objects being hurled away by the air jet
- Hearing damage if suitable hearing protection is not worn
- Inhalation of leaves, dust and whirled-up particles

If the instructions contained in this instruction manual are not observed, other residual risks may result due to improper use.

2. Safety information

WARNING! Read and understand all instructions. Failure to follow all instructions listed below may result in electric shock, fire and/or serious injury. The term "power tool" in all of the warnings below refers to your mains-operated (corded) power tool or battery-operated (cordless) power tool.

Save these instructions.

2.1 Work area

- **Keep work area clean and well lit.** Cluttered and dark areas invite accidents.
- **Do not operate power tools in explosive atmospheres, such as in the presence of flammable liquids, gases, or dust.** Power tools create sparks which may ignite the dust or fumes.
- **Keep children and bystanders away while operating a power tool.** Distractions can cause you to lose control.

2.2 Electrical safety

- **Avoid body contact with earthed or grounded surfaces such as pipes, radiators, ranges and refrigerators.** There is an increased risk of electric shock if your body is earthed or grounded.
- **Do not expose power tools to rain or wet conditions.** Water entering a power tool will increase the risk of electric shock.

2.3 Personal safety

- **Stay alert, watch what you are doing and use common sense when operating a power tool.** Do not use a power tool while you are tired or under the influence of drugs, alcohol, or medication. A moment of inattention while operating power tools may result in serious personal injury.
- **Use safety equipment.** Always wear eye protection. Safety equipment such as a dust mask, non-skid safety shoes, hard hat, or hearing protection used for appropriate conditions will reduce personal injuries.
- **Avoid unintentional operation. Make sure that the power tool is switched off before you connect it to the mains supply and/or the battery and whenever you pick up or carry the tool.** When carrying the tool with your finger on the on/off switch or connecting the tool to the mains supply with the switch in 'ON' position, this may result in accidents.
- **Remove any adjusting key or wrench before turning the tool on.** A wrench or a key that is left attached to a rotating part of the power tool may result in personal injury.
- **Do not overreach.** Keep proper footing and balance at all times. This enables better control of the power tool in unexpected situations.

- **Dress properly.** Do not wear loose clothing or jewellery. Keep your hair, clothing and gloves away from moving parts. Loose clothes, jewellery or long hair can be caught in moving parts.
- **If devices are provided for the connection of dust extraction and collection facilities ensure that these are connected and properly used.** Use of these devices can reduce dust-related hazards.

2.4 Power tool use and care

- **Do not force the power tool.** Use the correct power tool for your application. The correct power tool will do the job better and safer at the rate for which it was designed.
- **Do not use the power tool if the switch does not turn it on and off.** Any power tool that cannot be controlled with the switch is dangerous and must be repaired.
- **Pull the mains plug and/or remove the battery before adjusting a tool, changing accessories or putting the tool aside.** This precaution avoids the unintentional start of the tool.
- **Store idle power tools out of the reach of children and do not allow persons unfamiliar with the power tool or these instructions to operate it.** Power tools are dangerous in the hands of untrained users.
- **Maintain power tools.** Check for misalignment or binding of moving parts, breakage of parts and any other condition that may affect the power tool's operation. If damaged, have the power tool repaired before use. Many accidents are caused by poorly maintained power tools.
- **Use the power tool, accessories and tool bits etc., in accordance with these instructions and in the manner intended for the particular type of power tool, taking into account the working conditions and the work to be performed.** Use of the power tool for operations different from intended could result in a hazardous situation.

2.5 Appropriate handling and use of battery-operated power tools

- **Make sure that the device has been switched off before inserting the battery.** Inserting a battery into a switched-on power tool may lead to accidents!
- **Only use charging devices recommended by the manufacturer to charge the batteries.** Charging units are usually designed for certain types of batteries; if used with other types there is a risk of fire!
- **Only use batteries designed for your power tool.** The use of other batteries may lead to injury and risk of fire!
- **Keep unused batteries clear of paper clips, coins, keys, nails, screws or other small metal objects that may bridge the contacts.** A short circuit between the battery contacts may lead to burns or fire!

- **Improper use may result in fluid leaking out of the battery. Avoid any contact with battery fluid. Flush with water in case of contact. If battery fluid should get into your eyes seek medical advice additionally.** Leaking battery fluid may lead to irritations of the skin or burns!

2.6 Service

- **Have your power tool serviced by a qualified repair personnel using only identical replacement parts.** This will ensure that the safety of the power tool is maintained.

2.7 Safety instructions for the charger and rechargeable battery (not included in the scope of delivery)

- Read the guidelines and safety information before charging the rechargeable battery.
- Only use the prescribed charger to charge the rechargeable battery.
- Do not charge any other rechargeable batteries with this charger. Only use the charger together with the corresponding rechargeable battery.
- Only use the charger in a dry environment at a temperature between 10 °C and 40 °C.
- Never use a damaged charger.
- Only permit an authorised repair shop to repair the charger or rechargeable battery.
- Prevent short circuits of the rechargeable battery. Ensure that the rechargeable battery terminals never come into contact with metal objects.
- Do not store the rechargeable battery in locations where the temperature can reach 50 °C, for example, in an automobile parked in the sun.
- Do not expose the charger or the rechargeable battery to moisture.
- Never burn the rechargeable battery.
- Never attempt to open the rechargeable battery.
- If the fluid in the rechargeable battery (a 25 to 30 % potassium hydroxide solution) comes into contact with the skin, immediately flush the affected area with plenty of water. Neutralise the solution with a mild acid such as lemon juice or vinegar. If the solution comes into contact with the eyes, flush them for at least 10 minutes with running water and consult with a doctor.

Dispose of batteries properly:

This product must not be disposed of with household waste. Old devices contain valuable recyclable material which should be taken for re-utilisation and to prevent damage to the environment and human health by uncontrolled waste disposal. Therefore, please dispose of old devices through suitable collection systems or send the device to your mantis location for disposal. Your device will then be taken for material recycling. Do not simply

throw your electrical tool in the waste bin after its long lifespan, but dispose of it in an environmentally friendly manner.

Leaking batteries:

If a rechargeable battery cell leaks, be certain the escaping fluid does not come into contact with the skin or eyes. If it does, flush the affected area with plenty of water and consult with a doctor.

Wipe up escaped fluid with a dry cloth and dispose of it together with the old device through a suitable collection system.

2.8 General safety instructions

- This machine is not intended for use by persons (including children) with an impaired physical, sensory or mental capacity or insufficient experience and/or insufficient knowledge unless they are supervised by a person responsible for their safety or receive instructions from that person in the use of the machine.
- Children should be supervised in order to ensure that they do not play with the machine.

1) Instructions

1. Read these instructions carefully. Familiarise yourself with the control elements and the correct use of the device.
2. Never permit children to use the device.
3. Never permit persons who are not familiar with these operating instructions to use this device. Local regulations can restrict the age of the operator.
4. Never operate the device whilst other persons, in particular children or pet animals, are nearby.
5. The operator or user is responsible for accidents or dangers to other persons or their property.

2) Preparation

1. Always wear appropriate footwear and long trousers whilst operating the device.
2. Wear proper clothing – never wear loose clothing or jewellery. They may get caught in moving parts. The use of rubber gloves and suitable footwear is recommended for working outdoors.
3. Wear hair protection to hold back long hair. Wear protective goggles during operation.
4. Wearing a dust mask is recommended to prevent irritation from dust.
5. Never operate the device with damaged protective shields or covers safety devices or without properly installed safety devices, such as the attached rubbish collector.

3) Operation

1. Remove the rechargeable batteries:
 - when the device is not being used, when transporting it or when it is left unattended;

- when checking, cleaning or removing blockage from the device;
 - when you carry out cleaning or maintenance work or exchange accessories;
 - after contact with foreign objects or if there is abnormal vibration.
2. Avoid dangerous environments – never use the device in moist or wet environments.
 3. Only operate the device during daylight or with good artificial lighting.
 4. Do not overreach and always keep your balance.
 5. On slopes, make sure you always have firm, stable footing.
 6. Walk, never run.
 7. Keep all coolant air intakes free of contamination.
 8. Never blow rubbish towards bystanders.

4) Maintenance and storage

Before performing any cleaning or maintenance, switch off the device and remove the rechargeable battery.

1. Keep all nuts, bolts and screws clean to ensure the device is always in good working condition.
2. Check the device for wear or deterioration regularly.
3. Replace parts that are worn out or damaged.
4. Only use original spare parts and accessories.
5. When not in operation, store devices indoors after they have come to a complete stop; devices should be stored indoors in dry, elevated or enclosed places beyond the reach of children.

2.9 Additional safety instructions for leaf blowers

- The device is only intended for private use. It must not be used in public green areas, park areas, sport facilities, on median strips, or for landscaping or forestry.
- Only operate the machine at reasonable times of the day; not early in the morning or late in the evening when others could be disturbed. Times specified by local authorities are to be observed.
- A tingling feeling or numbness in the hands is sign of excessive vibration. Limit the operating time, take sufficiently long work breaks, distribute the work between several people or wear anti-vibration gloves when using the tool for extended periods.
- A certain degree of noise from this device is unavoidable. Perform noise-intensive work at times when this is permitted and at times intended for this type of work. Where applicable, observe quiet times and limit working time to the absolute minimum. You and other persons in the area where the trimmer is being used should wear suitable hearing protection.
- Always operate the machine at the lowest motor speed necessary to carry out the work.
- Before starting blowing, remove foreign objects with rake and broom.

- In dusty conditions, lightly moisten the surface or, when available, use a watering attachment part.
- Use the entire blowing nozzle attachment so the air jet can work close to the ground.
- Watch out for children, pet animals and open windows; blow foreign objects away safely.

Preparation:

1. Before starting work, always ensure your device is in flawless condition. Do not work with your leaf blower if any part of the device is defective or worn out.
2. Keep other persons, particularly children or pet animals, away from the running device. Keep such persons at least 6 m away from your work area.
3. Clear away sharp-edged, pointed or smouldering materials before starting work.
4. Prevent unintended start-up: Make sure that the switch is set to the off position before connecting to the power supply.

Operation:

1. Never operate the machine barefoot or whilst wearing open sandals. Always wear sturdy footwear or boots to protect your feet – freshly cut grass is moist and slippery. Rubber or hand-made shoes increase safety. Wear long trousers to protect your legs. Always wear safety goggles or corresponding safety eyewear when working with the leaf blower. Wear hearing protection as soon as the noise level of the work becomes uncomfortable.
2. Put up long hair so it does not reach below your shoulders. Keep loosely fitting clothing, ties, tassels and dangling belts away from openings and moving parts.
3. Never point the tube towards persons or windows.
4. Only use the machine for its intended purpose as described here.
5. Switch off the device before mounting or dismantling the blow tube. Wait until the motor has stopped.
6. Always make sure to keep a stable stance and do not lose your balance – especially when you are working on slopes.

Maintenance and repair:

1. Switch off the device after use and before each time it is cleaned.
2. Do not attempt to repair the device. Only have repairs done by a specialist or customer service.
3. Only use original spare parts and accessories. Use of accessory parts not expressly recommended by the manufacturer can cause injury or damage.
4. Always store the leaf blower in a dry location beyond the reach of children. Never expose the device to any solvents.

3. Unpacking

Due to modern mass production techniques, it is unlikely that your power tool is faulty or that a part is missing. If you find anything wrong, do not operate the tool until the parts have been replaced or the fault has been rectified. Failure to do so could result in serious personal injury.

4. Assembly

4.1 Installing and removing the rechargeable battery (not included in the scope of delivery)



ATTENTION! Always switch the tool off before you insert or remove the rechargeable battery.

1. If you want to remove the rechargeable battery from the tool, press the locking buttons on both sides and pull the rechargeable battery from the tool (Fig. 1).
2. To insert the rechargeable battery in the tool, first line up the base of the rechargeable battery with the guide on the housing (Fig. 2). Then push the rechargeable battery firmly into the tool (Fig. 1) until you hear the locking click into place. If the rechargeable battery is not locked into place, you or other persons may be injured.



WARNING! Only use the rechargeable battery provided by the manufacturer.

4.2 Installing the blow tube (Fig. 3)



Do not use the device until the blow tube has been properly mounted on the blower housing.

1. Push the blow tube with the guide pins (A) over the two guide dimples (B) on the blower housing.
2. Rotate the tube clockwise until it locks into place.

5. Operation

5.1 Starting and stopping (Fig. 4)

1. Starting: Press down the switch safety lock (1) and then press the switch (2). The switch safety lock (1) does not need to be kept pressed during operation.
2. The blowing speed can be steplessly adjusted with the rotary knob (4).
3. After the device has been switched on, the highest blowing speed can be switched to by pressing the turbo switch (3).


5.2 Blowing function

- Before setting the device into operation, always check it for flawless condition.
- Examine the work area before starting work. Use a rake or broom to remove all objects or wastes which could be hurled away by the leaf blower.
- If needed, lightly moisten dusty ground.

5.3 Working advice (Fig. 5)

- Hold the leaf blower about 20 cm above the ground as shown in Figure 5, switch on the device and swing it easily from side to side. Blow waste material into a heap. Do not direct the air jet into the middle of the waste heap.
- Adjust the blowing power to the requirements.
- Make sure the air jet is not directed at children, pet animals, open windows or automobiles.
- Always keep the ventilation slots free during operation to prevent overheating.
- Do not use the device on wet ground.
- Clean the device after working.

6. Cleaning and storage

 **ATTENTION – risk of injury! Always remove the rechargeable battery from the device before all work.**

Replace all damaged or worn parts to ensure the leaf blower is always ready for safe operation.

1. Clean ventilation slots and openings with a brush.
2. Do not use any solvents or cleaning agents containing chemicals which could damage the plastic parts. Wipe the housing clean with a cloth.
3. Always store the leaf blower in a dry, frost-free location beyond the reach of children.
4. Store and charge your rechargeable batteries at a cool location. Temperatures above or below normal room temperature shorten the lifespan of the rechargeable batteries.
5. Do not store rechargeable batteries when discharged. Wait until the rechargeable battery has cooled down and charge it completely.
6. Rechargeable batteries gradually lose their charge. The higher the temperature, the quicker they lose their charge. For longer storage periods, recharge the rechargeable battery every one or two months. This will extend the lifespan of the rechargeable battery.

ATTENTION!

For further maintenance or repair work, please contact your Mantis After Sales Service.

7. Waste disposal and environmental protection

Dispose of the machine properly after it is worn out. Disconnect the mains cable in order to prevent misuse. Do not dispose of the machine with the household waste. In the interest of environmental protection, take it to a collection point for electric machines. Your responsible local authority can provide you with addresses and operating times. Also take the packaging materials and worn out accessories to the appropriate collection points.



Only for EU countries

Do not discard electric tools in the household waste!

In accordance with European Directive 2012/19/EC on waste electrical and electronic equipment and its implementation in national law, waste electric tools must be collected separately for environmentally-compatible re-use.

Recycling alternative to the return invitation:

Instead of returning the electric equipment, the owner is alternatively obligated to take part in the proper recycling in the case of relinquishment of ownership. The waste equipment can also be taken to a collection facility which disposes of it in the sense of the national recycling management and waste acts. This does not pertain to the accessory parts and auxiliary equipment without electrical components accompanying the waste equipment.

8. Repair Service



ATTENTION! Electrical repairs may only be carried out by a skilled electrician or a customer service workshop!

If you send the machine to us for repair, please describe the fault.

Europe Mantis France SARL
20, rue des Garennes
57155 Marly
France

Phone: 0800 988 4828 (UK Freephone)

9. Spare parts

Please contact our service department if you need accessories or spare parts.

When working with this machine, do not use spare parts other than those recommended by us. Using spare parts not recommended by us can result in serious injuries to persons or damage to the machine.

The following information should be provided when ordering spare parts:

- Type of machine
- Item number of the machine

10. Warranty

For this electric tool, the company provides the end user - independently from the retailer's obligations resulting from the purchasing contract - with the following warranties:

The warranty period is 24 months beginning from the hand-over of the device which has to be proved by the original purchasing document. For commercial use and use for rent, the warranty period is reduced to 12 months. Wearing parts and defects caused by the use of no fitting accessories, repair with parts that are not original parts of the manufacturer, use of force, strokes and breaking as well as mischievous overloading of the motor are excluded from this warranty. Warranty replacement does only include defective parts, not complete devices. Warranty repair shall exclusively be carried out by authorized service partners or by the company's customer service. In the case of any intervention of not authorized personnel, the warranty will be held void.

All postage or delivery costs as well as any other subsequent expenses will be borne by the customer.

11. Technical Specifications

Cordless Blower

BBLOW40-25

Battery voltage/operation voltage	40 V DC
Battery type *	Li-Ion 40 V / 2,5 Ah / 100 Wh BAT40-25
Battery charger *	QCHARG40 quick charger CHARG40 normal charger
Operating time	max. 10 - 60 min
Blowing speed	320 km/h
Weight	2,7 kg
Sound Pressure Level L_{pA} (EN 50636-2-100:2014)	85 dB(A) K = 3,0 dB
Acoustic capacity level L_{WA} (2000/14/EG)	96 dB(A)
Vibration (EN 50636-2-100:2014)	$\leq 2,5 \text{ m/s}^2$ K = 1,5 m/s^2

* not included in the scope of delivery

Technical changes are reserved.

WARNING! When in operation, the tool's actual vibration emissions value can deviate from the specified value depending on how the tool is used, as in the following examples or because it is used in another way:

- How the tool is being used and which materials are being cut.
- The tool is well maintained and in good working order. The correct accessories are being used and care has been taken to make sure they are sharp and in good working order.
- How secure the hand grip is and whether anti-vibration accessories are being used.
- Whether the tool is being used in accordance with its design and as specified in these instructions.
- The tool can cause hand-arm vibration syndrome symptoms if it is not used properly.

WARNING! To make sure, an assessment should be made of the strain exerted when the tool is in use, for example when the tool is switched off or is idling. This will make it possible to significantly reduce the strain exerted during the entire time the tool is in use.

Minimise your risks if the tool vibrates.

Take care of the tool as specified in these instructions and make sure the tool is properly lubricated (if necessary).

If you use this tool regularly, you should invest in anti-vibration accessories.

If the temperature is 10°C or less, do not use the tools. Prepare a work schedule so that work is distributed over several days when using tools that exert high vibrations.

Noise emission information in accordance with the German Product Safety Act (ProdSG) and the EC Machine Directive: the noise pressure level at the place of work can exceed 80 dB(A). In such cases the operator will require noise protection (e.g. wearing of ear protectors).



ATTENTION! Noise protection! Please observe the local regulations when operating your device.

12. EU Declaration of Conformity



We, **MOGATEC Moderne Gartentechnik GmbH, Im Grund 14, 09430 Drebach / OT Griefsbach, Germany**, declare under our sole responsibility that the product **Cordless Leaf Blower BBLOW40-25**, to which this declaration relates correspond to the relevant basic safety and health requirements of Directives **2006/42/EC** (Machinery Directive), **2014/30/EU** (EMC-Guideline), **2011/65/EU** (RoHS-Guideline) and **2000/14/EC+2005/88/EC** (noise directive) incl. modifications. For the relevant implementation of the safety and health requirements mentioned in the Directives, the following standards and/or technical specification(s) have been respected:

**EN 60335-1:2012+A11:2014; EN 50636-2-100:2014; EN 62233:2008; EN 50581:2012
EK9-BE-82:2013; EK9-BE-89:2014; EK9-BE-88:2014; EK9-BE-77(V3):2015; EK9-BE-91:2015
EN 55014-12006+A1:2009+A2:2011; EN 55014-2:1997+A1:2001+A2:2008**

measured acoustic capacity level	95 dB (A)
guaranteed acoustic capacity level	96 dB (A)

Conformity assessment method to annexe V / Directive 2000/14/EC

The year of manufacture is printed on the nameplate and can be additionally retrieved via the consecutive serial number.

Münster, 07.11.2016



Matthias Fiedler, Senior Product Manager Ikra GmbH

Maintenance of technical documentation: Ikra GmbH, Schlesierstrasse 36, 64839 Münster, Germany

SOMMAIRE

Page

Illustrations	1 - 4
Représentation et explication des pictogrammes	5 - 6
Sommaire	
1. Utilisation conforme	FR-2
2. Consignes de sécurité	FR-2
2.1 Lieu de travail	
2.2 Sécurité électrique	
2.3 Sécurité des personnes	
2.4 Utilisation et entretien des outils électriques	
2.5 Manipulation et utilisation correctes des batteries	
2.6 Service	
2.7 Consignes de sécurité pour les chargeurs et les batteries	
2.8 Consignes générales de sécurité	
2.9 Autres consignes de sécurité concernant le souffleur de jardin	
3. Déballage	FR-5
4. Montage	FR-6
4.1 Installation et retrait des batteries	
4.2 Montage du tuyau	
5. Fonctionnement	FR-6
5.1 Démarrage et arrêt	
5.2 Fonction de soufflage	
5.3 Instructions de travail	
6. Nettoyage et stockage	FR-6
7. Recyclage et protection de l'environnement	FR-7
8. Service après-vente	FR-7
9. Pièces de rechange	FR-7
10. Conditions de garantie	FR-7
11. Données techniques	FR-8
12. Déclaration de Conformité	FR-9

Votre souffleur de jardin a été développé et fabriqué selon les toutes dernières connaissances et avec des matériaux de haute qualité afin de garantir une longue durée de vie, une utilisation sans problème et dans l'intérêt de la sécurité de l'utilisateur. Votre souffleur de jardin peut fonctionner de manière optimale pendant plusieurs années s'il est correctement entretenu.

1. Utilisation conforme

Le souffleur de jardin permet de rassembler des feuilles dans une direction souhaitée ou de les chasser d'endroits difficilement accessibles. L'appareil n'est pas destiné à une utilisation à l'intérieur de bâtiments.

L'appareil ne doit pas être utilisé par des enfants ou des personnes vulnérables sans surveillance.

Charger la batterie

Ne chargez la batterie que dans le chargeur fourni par le fabricant.

Pour prévenir tout choc électrique et tout risque de blessure et d'incendie, lisez attentivement la notice d'utilisation du chargeur, avant de charger la batterie.

Utilisation non conforme

Tous les contextes d'utilisation de l'appareil ne figurant pas au chapitre « Utilisation conforme » sont considérés comme des utilisations non conformes.

Le souffleur de jardin ne doit pas être utilisé aux fins suivantes :

- Utilisation dans des locaux fermés
- Utilisation comme ventilateur
- Soins des animaux domestiques

Il existe un risque de blessure.

Dans ce cas, l'utilisateur de l'appareil endosse l'entière responsabilité des dommages matériels et blessures susceptibles de survenir en raison de cette utilisation incorrecte.

L'utilisation sur l'appareil de composants autres que des pièces d'origine annule tout droit à garantie.

Dangers résiduels

Même en cas d'utilisation conforme de l'outil, il est impossible d'exclure totalement un certain risque résiduel. Selon le type et la construction de l'outil, les dangers potentiels suivants peuvent émaner :

- Mise en marche accidentelle du produit
- Projection d'objets due au courant d'air
- Perte partielle de l'ouïe si l'on néglige de porter la protection acoustique prescrite
- Inhalation de feuilles, de poussière et de particules tourbillonnantes

Si les instructions contenues dans cette notice d'utilisation ne sont pas respectées, d'autres dangers résiduels peuvent apparaître à cause de l'utilisation non conforme.

2. Consignes de sécurité

ATTENTION! Veuillez lire la totalité des consignes. Tout manquement à l'observation des consignes énumérées ci-dessous peut provoquer une électrocution, un incendie et/ou des blessures graves. Le terme «outil électrique» utilisé ci-après se rapporte à des outils électriques fonctionnant sur secteur (équipés d'un câble secteur) et à des outils électriques fonctionnant avec batterie (non équipés d'un câble secteur).

Conservez soigneusement ces consignes.

2.1 Lieu de travail

- **Maintenez votre espace de travail propre et rangé.** Des espaces de travail désordonnés et mal éclairés peuvent conduire à des accidents.
- **N'utilisez pas l'appareil dans un environnement présentant des risques d'explosion dans lequel se trouvent des liquides, des gaz ou des poussières.** Les outils électriques produisent des étincelles pouvant enflammer les poussières et vapeurs.
- **Tenez les enfants et toute autre personne à l'écart pendant l'utilisation de l'outil électrique.** En cas de distraction, vous pourriez perdre le contrôle de l'appareil.

2.2 Sécurité électrique

- **Évitez tout contact physique avec les surfaces reliées à la terre comme tuyauteries, chauffages, cuisinières et réfrigérateurs.** Si votre corps est relié à la terre, le risque d'électrocution est plus important.
- **Ne jamais exposer l'appareil à l'humidité.** Toute pénétration d'eau dans un appareil électrique augmente le risque d'électrocution.

2.3 Sécurité des personnes

- **Soyez concentré, prêtez attention à ce que vous faites et restez prudent en utilisant votre outil électrique.** N'employez pas l'appareil lorsque vous êtes fatigué ou sous l'influence de drogues, d'alcool ou de médicaments. Chaque moment d'inattention pendant l'utilisation de l'appareil peut causer de sérieuses blessures.
- **Portez toujours votre équipement de protection individuelle et vos lunettes.** Le port d'un équipement de protection individuelle comme un masque anti-poussière, des chaussures de sécurité antidérapantes, un casque ou une protection acoustique, selon le type d'outil électrique que vous utilisez, réduit le risque de blessure.
- **Empêchez la mise en route involontaire. Assurez-vous que l'appareil électrique est éteint avant de le raccorder au réseau électrique et/ou d'insérer la batterie, de le soulever ou de le porter.** Il y a risque d'accident si votre doigt est posé sur l'interrupteur

alors que vous portez l'appareil ou que l'appareil est allumé au moment où vous le raccordez au réseau électrique.

- **Éloignez les outils de réglage ou les clés à vis avant de mettre l'appareil en marche.** Tout outil ou clé se trouvant dans une partie pivotante de l'appareil peut causer des blessures.
- **Évitez de vous pencher trop en avant.** Veillez à adopter une position sûre et à toujours garder votre équilibre. Vous pourrez ainsi mieux contrôler l'appareil en cas de situations inattendues.
- **Adoptez une tenue appropriée.** Ne portez pas de vêtements amples ni de bijoux. Tenez vos cheveux, vos vêtements et vos gants éloignés des parties mobiles. Des vêtements amples, des bijoux ou de longs cheveux peuvent se prendre dans les parties mobiles.
- **Si un système d'aspiration ou de collecte peut être monté sur l'appareil, assurez-vous qu'il est bien fixé et correctement utilisé.** L'utilisation de ces accessoires réduit les risques liés à la poussière.

2.4 Utilisation et entretien des outils électriques

- **Ne surchargez pas l'appareil. Utilisez l'outil électrique adapté à votre tâche.** Vous travaillerez mieux et serez plus en sécurité dans votre environnement de travail si vous utilisez l'outil électrique adéquat.
- **N'utilisez pas d'outil électrique dont le commutateur est défectueux.** Un outil électrique ne pouvant plus s'allumer ni s'éteindre est dangereux et doit être réparé.
- **Retirez la fiche de la prise de courant et/ou enlevez la batterie avant de procéder à des réglages, de remplacer des pièces ou de ranger l'appareil.** Cette mesure de sécurité évite un démarrage inopiné de l'appareil.
- **Tenez les outils électriques non utilisés hors de la portée des enfants. Empêchez toute personne qui ne se sentirait pas à l'aise ou qui n'aurait pas lu ces instructions d'utiliser l'appareil.** Les outils électriques sont dangereux lorsqu'ils sont utilisés par des personnes non expérimentées.
- **Entretenez l'appareil avec soin.** Assurez-vous que les parties mobiles de l'appareil fonctionnent parfaitement et ne coincent pas, que les pièces ne sont pas cassées ou endommagées afin de ne pas entraver le fonctionnement de l'appareil. Faites réparer les pièces endommagées avant d'utiliser l'appareil. De nombreux accidents sont provoqués par une mauvaise maintenance des outils électriques.
- **Utilisez les outils électriques, les accessoires, les outils de rechange etc. conformément aux présentes instructions et de façon conforme à ce qui est prescrit pour ce type d'appareil. Tenez compte des conditions de travail et de l'activité à accomplir.** L'utilisation d'outils électriques pour d'autres applications que celles qui sont expressément prévues peuvent occasionner des situations dangereuses.

2.5 Manipulation et utilisation correctes des batteries

- **Assurez-vous que l'appareil soit éteint avant d'installer la batterie.** L'installation d'une batterie dans un appareil électrique en activité peut entraîner des accidents.
- **Ne chargez la batterie qu'avec des chargeurs recommandés par le fabricant.** Risque d'incendie en cas d'utilisation d'un chargeur sur un autre type de batterie.
- **N'utilisez que les batteries prévues à cet usage dans les appareils électriques.** L'utilisation d'autres batteries peut entraîner des blessures et risquer un incendie.
- **Entreposez les batteries loin des trombones, des pièces de monnaie, des clés, des clous, des vis ou autres petits objets métalliques pouvant entraîner un court-circuit.** Un court-circuit entre les contacts de la batterie peut entraîner des brûlures, voire un grave incendie.
- **En cas d'utilisation non conforme, du liquide peut s'échapper de la batterie. Évitez tout contact avec ce liquide. En cas de contact accidentel, rincer à l'eau. Si le liquide pénètre dans les yeux, consulter également un médecin.** L'écoulement du liquide de la batterie peut entraîner des irritations de la peau ou des brûlures.

2.6 Service

- **Ne faites réparer l'appareil que par du personnel spécialisé installant uniquement des pièces de rechange originales.** La sécurité de l'appareil sera ainsi garantie.

2.7 Consignes de sécurité pour les chargeurs et les batteries (non livrés avec le souffleur)

- Lisez les prescriptions et les consignes de sécurité avant de charger la batterie.
- Pour la charge de la batterie, utilisez uniquement le chargeur prescrit.
- Ne chargez aucune autre batterie avec ce chargeur. Le chargeur ne peut être utilisé qu'avec la batterie correspondante.
- Utilisez le chargeur exclusivement dans un environnement sec, à une température comprise entre 10 °C et 40 °C.
- N'utilisez pas le chargeur quand il est endommagé.
- Pour réparer le chargeur et la batterie, contactez votre Service Après-Vente Mantis.
- Évitez tout court-circuit de la batterie. Assurez-vous que les raccords de la batterie n'entrent pas en contact avec des objets métalliques.
- Ne conservez pas la batterie dans un lieu où la température peut atteindre 50°C, comme p. ex. dans une voiture garée en plein soleil.

- Veillez à ne pas exposer le chargeur et la batterie à l'humidité.
- Ne brûlez pas la batterie.
- N'essayez jamais d'ouvrir la batterie.
- Si le liquide de la batterie (une solution d'hydroxyde de potassium à 25-30%) entre en contact avec la peau, rincez immédiatement à grande eau. Neutralisez la solution à l'aide d'un acide doux, tel que du jus de citron ou du vinaigre. Si la solution entre en contact avec les yeux, rincez-les sous l'eau courante pendant au moins 10 minutes, puis consultez un médecin.

Évacuer la batterie en toute sécurité :

En veillant à ne pas jeter ce produit avec les ordures ménagères. Les anciens appareils contiennent des matériaux recyclables, qui doivent être récupérés afin d'éviter qu'une élimination incontrôlée ne porte préjudice à l'environnement et à la santé humaine. Veuillez utiliser des systèmes de collecte adaptés pour éliminer les appareils usagés ou les envoyer à Mantis France qui se chargera de la valorisation des matériaux des appareils. Lorsque votre outil électrique arrive en fin de vie, ne le jetez pas avec les ordures ménagères, mais veillez à l'éliminer dans le respect de l'environnement.

Fuite de la batterie :

En cas de fuite de la batterie, assurez-vous que le liquide qui s'écoule n'entre pas en contact avec la peau ou les yeux.

Si cela se produit, rincez la partie du corps concernée à grande eau et consultez un médecin.

Essayez le liquide qui s'est répandu à l'aide d'un chiffon sec et évacuez la batterie avec l'appareil usagé en les apportant à un système de collecte adapté.

2.8 Consignes générales de sécurité

- Cet appareil n'a pas été conçu pour être utilisé par des personnes (y compris les enfants) aux capacités physiques, sensorielles ou intellectuelles réduites ou manquant d'expérience et/ou de connaissances sauf si ces personnes agissent sous la supervision d'une personne responsable de la sécurité ou reçoivent d'elle des instructions quant à la manière d'utiliser l'appareil.
- Les enfants doivent être surveillés afin de s'assurer qu'ils ne jouent pas avec l'appareil.

1) Instructions

1. Lisez attentivement les instructions. Familiarisez-vous avec les éléments de commande et l'utilisation correcte de l'appareil.
2. N'autorisez jamais les enfants à utiliser l'appareil.
3. Ne laissez jamais une personne non familiarisée avec ces instructions utiliser l'appareil. Les réglementations locales peuvent limiter l'âge de l'utilisateur.
4. N'utilisez jamais l'appareil à proximité de personnes, et en particulier d'enfants ou d'animaux domestiques.

5. L'opérateur ou l'utilisateur est responsable des accidents ou des risques qu'il fait courir à d'autres personnes ou à leurs biens personnels.

2) Préparation

1. Veillez à toujours porter des chaussures adaptées et un pantalon lorsque vous utilisez l'appareil.
2. Choisissez des vêtements appropriés - ne portez pas de vêtements amples ou de bijoux. Ils peuvent être attrapés par les pièces en mouvement. Il est recommandé de porter des gants en caoutchouc et des chaussures adaptées lors de travaux en extérieur.
3. Si vous avez les cheveux longs, portez une protection sur la tête pour pouvoir les ramasser. Portez des lunettes de protection pendant l'utilisation.
4. Il est recommandé de porter un masque anti-poussière afin de prévenir les irritations dues à la poussière.
5. N'utilisez jamais l'appareil si les couvercles ou les dispositifs de protection sont endommagés, ni en l'absence des dispositifs de sécurité comme le collecteur de déchets p. ex.

3) Utilisation

1. Retirez la batterie:
 - si vous n'utilisez plus l'appareil, si vous le transportez ou le laissez sans surveillance ;
 - si vous vérifiez l'appareil, le nettoyez ou éliminez les bourrages ;
 - si vous effectuez des travaux de nettoyage ou de maintenance ou un remplacement d'accessoire ;
 - après le contact avec un corps étranger ou en cas de vibrations anormales.
2. Évitez les environnements dangereux – n'utilisez pas l'appareil dans des zones mouillées ou humides.
3. Utilisez l'appareil uniquement à la lumière du jour ou avec un bon éclairage.
4. Veillez à ne jamais rien enjambrer l'appareil à la main et à garder votre équilibre à tout moment.
5. Veillez toujours à votre stabilité sur les pentes.
6. Marchez, ne courez jamais.
7. Assurez-vous que les entrées d'air de refroidissement ne sont pas obstruées par des saletés.
8. Ne soufflez jamais de saleté vers ce qui se trouve aux alentours.

4) Maintenance et stockage

Avant de procéder au nettoyage et à la maintenance de l'appareil, arrêtez celui-ci et retirez la batterie.

1. Assurez-vous que tous les écrous, boulons et vis sont propres afin que l'appareil se trouve dans de bonnes conditions de fonctionnement.
2. Vérifiez régulièrement l'absence d'usure ou de dégradation sur l'appareil.
3. Remplacez les pièces usées ou endommagées.
4. Utilisez uniquement des pièces de rechange d'origine et des accessoires.

5. Stockez les appareils à l'arrêt à l'intérieur – Il est recommandé d'entreposer les appareils à l'intérieur, dans un lieu sec et en hauteur ou fermé – hors de portée des enfants – lorsqu'ils ne sont pas utilisés.

2.9 Autres consignes de sécurité concernant le souffleur de jardin

- La machine n'est destinée qu'à un usage privé. Elle ne doit pas être utilisée dans les espaces verts publics, les parcs, les installations sportives, sur les bandes de verdure et dans les exploitations agricoles et les forêts.
- La machine ne doit être utilisée qu'à des heures appropriées de la journée - ni tôt le matin, ni tard le soir, si cela peut déranger des personnes. Veuillez respecter les horaires indiqués par les autorités locales.
- Une sensation de picotement ou d'insensibilité dans vos mains est un signe de vibrations excessives. Limitez la durée d'utilisation, aménagez-vous des pauses de travail suffisamment longues, répartissez le travail entre plusieurs personnes ou portez des gants de protection anti-vibrations en cas d'utilisation prolongée de l'appareil.
- Une certaine nuisance sonore est inévitable dans le cadre de l'utilisation de cet appareil. Reportez les travaux bruyants aux heures autorisées et prévues à cet effet. Le cas échéant, respectez des temps de pause et limitez la durée du travail au strict nécessaire. Pour votre sécurité personnelle et la sécurité des personnes qui se trouvent à proximité, il convient de porter une protection acoustique adaptée.
- Pour exécuter vos tâches, faites fonctionner la machine au régime moteur le plus faible possible.
- Avant de commencer à souffler, retirez les corps étrangers à l'aide d'un râteau et d'un balai.
- En cas de conditions poussiéreuses, humidifiez légèrement la surface ou utilisez, le cas échéant, un système d'irrigation.
- Utilisez l'ensemble de l'embout du souffleur afin de pouvoir diriger le flux d'air au plus près du sol.
- Faites attention aux enfants, aux animaux domestiques, aux fenêtres ouvertes et orientez l'appareil à l'opposé afin de souffler sur les corps étrangers en toute sécurité.

Préparation :

1. Avant de commencer à travailler, vérifiez que votre appareil est en parfait état de fonctionnement. N'utilisez pas votre souffleur, s'il comporte des pièces défectueuses ou usées.
2. Éloignez les autres personnes, notamment les enfants ou les animaux domestiques, de l'appareil en marche. Maintenez ces personnes à au moins 6 m de la zone de travail.
3. Retirez au préalable les matériaux à arêtes vives, pointus, chauds ou collants de la zone de travail.

4. Évitez tout démarrage inopiné: assurez-vous que l'interrupteur est à l'arrêt quand vous insérez la batterie dans son compartiment.

Utilisation :

1. N'utilisez pas l'appareil les pieds nus ou avec des sandales ouvertes. Portez toujours des chaussures robustes ou des bottes pour protéger vos pieds - l'herbe fraîchement coupée est humide et glissante. Le port de chaussures en caoutchouc ou de chaussures sur mesure accroît la sécurité. Portez un pantalon pour protéger vos jambes. Lors de l'utilisation du souffleur de feuilles, portez toujours des lunettes de protection ou des verres de sécurité correspondant. Portez une protection auditive dès que le niveau sonore de vos travaux devient désagréable.
2. Si vous avez les cheveux longs, pensez à les relever afin qu'ils ne dépassent pas la hauteur des épaules. Retirez les vêtements amples, les cravates, les franges et les ceintures qui pendent et les pièces en mouvement.
3. N'orientez jamais le tuyau vers des personnes ou des fenêtres.
4. Cette machine doit uniquement être utilisée correctement comme indiqué.
5. Éteignez l'appareil avant de monter ou de démonter le tuyau de soufflage. Attendez que le moteur soit à l'arrêt.
6. Veillez à toujours vous trouver dans une position stable et à ne pas perdre l'équilibre, surtout lorsque vous travaillez sur un terrain en pente.

Entretien :

1. Arrêtez l'appareil après utilisation et avant de le nettoyer.
2. N'essayez pas de réparer l'appareil. Confiez les réparations à du personnel qualifié ou au service après-vente.
3. Utilisez uniquement des pièces de rechange et accessoires d'origine. L'utilisation d'accessoires non expressément recommandés par le fabricant peut occasionner des blessures ou des dommages.
4. Conservez toujours le souffleur de feuilles dans un lieu sec hors de portée des enfants. N'exposez pas l'appareil à des solvants.

3. Déballage

Compte tenu des techniques modernes de production en série, il est peu probable que votre appareil électrique soit défectueux ou qu'il manque des pièces. Néanmoins, si vous détectez un dysfonctionnement ou constatez que l'appareil n'est pas complet, n'utilisez pas l'appareil jusqu'au montage des pièces concernées et élimination du dysfonctionnement. Tout manquement à cette consigne peut entraîner des blessures graves.

4. Montage


4.1 Installation et retrait des batteries (non fournie avec le souffleur)

 **ATTENTION! Éteignez toujours l'outil avant de retirer ou d'insérer la batterie.**

1. Si vous désirez retirer la batterie de l'outil, appuyez sur les doigts de verrouillage des deux côtés et retirez la batterie de l'outil (fig. 1).
2. Pour insérer la batterie dans l'outil, commencez par aligner le socle de la batterie avec l'élément de guidage dans le carter (fig. 2). Glissez ensuite la batterie dans l'outil (fig. 1) jusqu'à ce que vous entendiez le verrouillage s'enclencher. La batterie doit être parfaitement enclenchée, sinon vous risquez de vous blesser vous ou les autres personnes.

 **AVERTISSEMENT! N'utilisez que la batterie fournie par le fabricant.**

4.2 Montage du tuyau (fig. 3)

 N'utilisez jamais l'appareil avant d'avoir monté le tuyau sur (le carter de soufflante) conformément aux prescriptions.

1. Poussez le tuyau de soufflage en faisant passer les nervures de guidage (A) au-dessus des deux picots de guidage (B) sur le carter de soufflante.
2. Tournez le tuyau dans le sens horaire jusqu'à ce qu'il s'enclenche.

5. Fonctionnement

5.1 Démarrage et arrêt (fig. 4)

1. Pour démarrer: appuyez sur la sécurité (1) ; actionnez ensuite le bouton (2). Une fois l'appareil en marche, il n'est pas nécessaire de garder la sécurité (1) enfoncée.
2. Le bouton rotatif (4) permet de régler progressivement la vitesse de soufflage.
3. Après avoir mis en marche l'appareil, il est possible d'activer la vitesse de soufflage maximale en appuyant sur le bouton turbo (3).


5.2 Fonction de soufflage

- Avant toute mise en service, vérifiez que l'appareil est en parfait état de fonctionnement.
- Avant de commencer, inspectez la zone de travail. À l'aide d'un balai ou d'un râteau, retirez de la zone de travail tous les objets ou déchets qui peuvent être projetés par le souffleur de feuilles.
- Le cas échéant, humidifiez légèrement les sols poussiéreux.

5.3 Instructions de travail (fig. 5)

- Tel qu'illustré sur la figure 5, maintenez le tuyau de soufflage à environ 20 cm au-dessus du sol, mettez l'appareil en marche et effectuez avec celui-ci un léger mouvement de balancement d'un côté à l'autre. Lorsque vous soufflez sur les déchets, regroupez-les dans un tas. Ne maintenez pas le flux d'air au centre du tas de déchets.
- Adaptez la puissance de soufflage à vos besoins.
- Veillez à ne pas orienter le flux d'air vers des enfants, des animaux domestiques, des fenêtres ouvertes ou des véhicules.
- Pendant l'utilisation, veillez à ce que les fentes ne soient pas obstruées afin d'éviter toute surchauffe.
- N'utilisez pas l'appareil sur des sols humides.
- Une fois le travail terminé, nettoyez l'appareil.

6. Nettoyage et stockage

 **ATTENTION - Risque de blessures! Avant toute tâche, retirez impérativement la batterie de l'appareil.**

Toutes les pièces endommagées et usées doivent être remplacées pour que le souffleur de jardin demeure opérationnel.

1. Nettoyez les fentes d'aération et les ouvertures à l'aide d'une brosse.
2. Veuillez ne pas utiliser de solvants ou de détergents contenant des produits chimiques qui pourraient endommager les pièces en plastique. Essuyer le carter à l'aide d'un chiffon.
3. Conservez l'appareil au sec et à l'abri du gel, hors de portée des enfants.
4. Stockez et chargez votre batterie dans un lieu frais. Les températures supérieures ou inférieures à la température ambiante normale raccourcissent la durée de vie de la batterie.
5. Ne stockez pas la batterie à l'état déchargé. Attendez que la batterie ait refroidi et rechargez-la complètement.
6. Les batteries se déchargent progressivement. Plus la température est élevée, plus elles se déchargent rapidement. En cas de stockage prolongé, rechargez la batterie tous les mois ou tous les deux mois. Vous prolongerez ainsi la durée de vie de la batterie.

ATTENTION!

Pour tous les autres travaux de maintenance ou de réparation, veuillez vous adresser au Service Après-Vente Mantis.

7. Recyclage et protection de l'environnement

Une fois l'appareil hors d'état, procédez à son élimination conformément aux dispositions. Débranchez le câble secteur afin d'éviter toute utilisation abusive. Ne jetez pas l'appareil avec les ordures ménagères. Dans un but de protection de l'environnement, remettez-le à un centre de collecte spécialisé dans les appareils électriques. Votre commune se fera un plaisir de vous fournir les adresses et horaires d'ouverture correspondants. Remettez également les matériaux d'emballage et accessoires usés aux centres de collecte prévus.



**Uniquement en ce qui concerne les pays de l'UE.
Ne jetez pas les outils électriques avec les ordures ménagères!**

Conformément à la directive européenne 2012/19/CE sur les anciens appareils électriques et électroniques et à la mise en oeuvre de la législation nationale, les outils électriques usés doivent être triés à part et remis à un centre de recyclage.

Alternative de recyclage aux exigences de retour:

Au lieu d'un renvoi, le propriétaire de l'appareil électrique est tenu d'assurer une valorisation. L'ancien appareil peut à ces fins être confié à un centre de reprise qui se chargera de son élimination conformément aux lois nationales sur le recyclage et les déchets. Ne sont pas concernés les accessoires joints aux anciens appareils et les consommables sans composants électriques.

8. Service après-vente



ATTENTION! Les travaux de réparation électrique ne doivent être effectués que par un électricien professionnel ou à l'atelier du service après-vente!

Veillez joindre une description des défauts constatés lors de l'envoi de l'appareil à la réparation.

Europe Mantis France SARL
20, rue des Garennes
57155 Marly
France

Tél.: 0033 3 87 62 88 88

9. Pièces de rechange

Si vous avez besoin d'accessoires ou de pièces de rechange, veuillez vous adresser à notre service après-vente.

N'utilisez pour travailler avec cet appareil que des pièces supplémentaires recommandées par notre entreprise. Dans le cas contraire, l'utilisateur ou des personnes se trouvant à proximité pourraient subir de graves blessures et l'appareil pourrait être endommagé.

Lors de la commande de pièces de rechange, les indications suivantes doivent être fournies:

- Type de l'appareil
- Référence de l'appareil

10. Conditions de garantie

Indépendamment des obligations ressortant du contrat de vente conclu par le fournisseur avec le consommateur final, nous accordons pour cet appareil électrique la garantie suivante:

La période de garantie est de 24 mois et entre en vigueur à la remise de l'outil qui sera justifiée par présentation du bon d'achat original. En cas d'utilisation commerciale ou de location, la période de garantie se limite à 12 mois. Les pièces d'usure et les dommages dus à l'utilisation de pièces non conformes, à des réparations effectuées avec des pièces non originales, à l'exercice de la force, à des coups, une destruction ou une surcharge intentionnelle du moteur sont exclus de la garantie. Les échanges sous garantie ne concernent que les pièces défectueuses et non les appareils complets. Les réparations sous garantie ne peuvent être effectuées que par des ateliers autorisés ou par le service après-vente de l'usine. La garantie s'éteint en cas d'intervention étrangère au fournisseur agréé.

Les frais de port, d'expédition et autres frais annexes sont à la charge du client.

11. Données techniques

Souffleur à batterie	BBLOW40-25
Tension de l'accu, tension de service	40 V DC
Catégorie d'accumulateur *	Li-Ion 40 V / 2,5 Ah / 100 Wh BAT40-25
Chargeur de réseau *	QCHARG40 chargeur rapide CHARG40 chargeur normal
Autonomie max.	ca. 10 - 60 min
Vitesse de soufflage	320 km/h
Poids	2,7 kg
Niveau sonore mesuré L_{pA} (EN 50636-2-100:2014)	85 dB(A) K = 3,0 dB
Niveau de pression acoustique L_{WA} (2000/14/EG)	96 dB(A)
Vibration (EN 50636-2-100:2014)	$\leq 2,5 \text{ m/s}^2$ K = 1,5 m/s^2

* * non fournis avec le souffleur. Doivent être achetés séparément.

Sous réserve de modifications techniques.

AVERTISSEMENT! Pendant l'utilisation proprement dite, la valeur d'émission de vibrations peut varier par rapport à la valeur indiquée selon si l'outil électrique est utilisé conformément aux exemples suivants ou dans d'autres conditions:

- Mode d'utilisation de l'outil et nature des matériaux déplacés.
- Outil en bon état et soumis à un entretien satisfaisant. Appareil utilisé avec des accessoires adaptés et vérification de son affûtage et de son état.
- Poignée stable et utilisation d'un accessoire antivibration.
- Outil utilisateur conformément à sa conception et aux instructions.
- Si cet outil n'est pas manipulé de manière conforme, un syndrome de vibrations au niveau des mains et des bras peut apparaître.

AVERTISSEMENT! Pour être sûr, il est conseillé d'évaluer le niveau de charge de toutes les phases de travail pendant l'utilisation du matériel, par exemple les délais pendant lesquels l'outil est hors service et les moments où il fonctionne à vide. Ainsi, il est possible de réduire considérablement le niveau de charge pendant l'ensemble du temps de travail.


Minimisez le risque de vous retrouver soumis à des vibrations.

Procédez à l'entretien de l'outil conformément à ces instructions et veillez à assurer une lubrification suffisante (s'il y a lieu).

En cas d'utilisation régulière de cet outil, nous vous recommandons d'investir dans des gants anti-vibration.

Évitez d'utiliser les outils à des températures de 10 °C ou moins. Élaborez un plan de travail afin de répartir sur plusieurs jours l'utilisation des outils impliquant de fortes vibrations.

Les indications relatives aux émissions sonores de bruit sont conformes à la loi sur la sécurité des produits (ProdSG), voire à la Directive Machines de l'Union Européenne: le niveau de pression acoustique au lieu de travail peut dépasser 80 dB (A). Dans ce cas il convient de prévoir des mesures de protection acoustique pour l'opérateur (par ex. port de protège-oreilles).

 **ATTENTION! Protection contre le bruit!** Avant la mise en marche, informez-vous des prescriptions locales.

12. Déclaration de Conformité pour la CE



Nous, **MOGATEC Moderne Gartentechnik GmbH, Im Grund 14, 09430 Drebach / OT Grießbach, Germany**, déclarons sous notre seule responsabilité que le produit **Souffleur à batterie BBLOW40-25**, faisant l'objet de la déclaration est conforme aux prescriptions fondamentales en matière de sécurité et de santé stipulées dans les Directives de la **2006/42/CE** (directive relative aux machines), **2014/30/EU** (directive EMV), **2011/65/EU** (directive RoHS) et **2000/14/CE+2005/88/CE** (directives en matière de bruit) modifications incluses. Pour mettre en pratique dans les règles de l'art les prescriptions en matière de sécurité et de santé stipulées dans les Directives de la CEE, il a été tenu compte des normes et/ou des spécifications techniques suivantes:

**EN 60335-1:2012+A11:2014; EN 50636-2-100:2014; EN 62233:2008; EN 50581:2012
EK9-BE-82:2013; EK9-BE-89:2014; EK9-BE-88:2014; EK9-BE-77(V3):2015; EK9-BE-91:2015
EN 55014-12006+A1:2009+A2:2011; EN 55014-2:1997+A1:2001+A2:2008**

Niveau sonore mesuré	95 dB (A)
Niveau sonore garanti	96 dB (A)

Procédure d'évaluation de conformité voir annexe V / directive 2000/14/CE

L'année de fabrication est indiquée sur la plaque de l'appareil et est également repérable sur le numéro de série consécutif.

Münster, 07.11.2016



Matthias Fiedler, Senior Product Manager Ikra GmbH

La documentation technique est conservée par: Ikra GmbH, Schlesierstrasse 36, 64839 Münster, Germany

INHALTSVERZEICHNIS

Seite

Abbildungen	1 - 4
Abbildung und Erklärung der Piktogramme	5 - 6
Inhaltsverzeichnis	
1. Bestimmungsgemäße Verwendung	DE-2
2. Sicherheitshinweise	DE-2
2.1 Arbeitsbereich	
2.2 Elektrische Sicherheit	
2.3 Persönliche Sicherheit	
2.4 Gebrauch und Pflege von Elektrowerkzeugen	
2.5 Sorgfältiger Umgang und Gebrauch von Akkugeräten	
2.6 Service	
2.7 Sicherheitshinweise für Ladegeräte und Akkus	
2.8 Allgemeine Sicherheitshinweise	
2.9 Sicherheitshinweise für Laubbläser	
3. Auspacken	DE-6
4. Montage	DE-6
4.1 Einsetzen und Entfernen des Akkus	
4.2 Montage des Rohrs	
5. Betrieb	DE-6
5.1 Starten und Stoppen	
5.2 Blasfunktion	
5.3 Arbeitshinweise	
6. Reinigung und Lagerung	DE-6
7. Entsorgung und Umweltschutz	DE-7
8. Reparaturdienst	DE-7
9. Ersatzteil	DE-7
10. Gewährleistung- und Garantiebedingungen	DE-7
11. Technische Angaben	DE-8
12. Konformitätserklärung	DE-9

Ihr Laubbläser wurde nach den neuesten Erkenntnissen und mit qualitativ hochwertigen Materialien für eine lange Lebensdauer, eine problemlose Nutzung und im Interesse der Sicherheit des Benutzers entwickelt und hergestellt. Bei vorschriftsmäßiger Pflege leistet Ihr Laubbläser Ihnen lange Jahre gute Dienste.

1. Bestimmungsgemäße Verwendung

Der Laubbläser ist zum Zusammenblasen des Laubes in eine gewünschte Richtung oder Wegblasen des Laubes aus schwer zugänglichen Orten bestimmt. Das Gerät eignet sich nicht zur Nutzung in Gebäuden.

Das Gerät darf ohne Aufsicht nicht von Kindern oder gebrechlichen Personen bedient werden.

Akku laden

Laden Sie den Akkublock nur in dem vom Hersteller gelieferten Ladegerät auf.

Zum Schutz gegen elektrischen Schlag, Verletzungs- und Brandgefahr, lesen Sie die Betriebsanleitung des Ladegerätes gut durch, bevor Sie die Batterie Zelle aufladen.

Nicht bestimmungsgemäßer Gebrauch

Alle Anwendungen mit dem Gerät die nicht im Kapitel „bestimmungsgemäße Verwendung“ genannt sind, gelten als eine nicht bestimmungsgemäße Verwendung.

Der Laubsauger darf nicht zu folgenden Zwecken eingesetzt werden:

- Einsatz in geschlossenen Räumen
- Einsatz als Lüfter
- Pflege von Haustieren

Es besteht Verletzungsgefahr.

Für alle daraus entstandenen Sachschäden sowie Personenschäden, die auf Grund einer Fehlanwendung entstanden sind, haftet der Benutzer des Gerätes.

Bei Verwendung anderer bzw. nicht Original Bauteile an der Maschine erlischt herstellerseitig die Garantieleistung.

Restrisiken

Auch bei sachgemäßer Verwendung des Werkzeugs bleibt immer ein gewisses Restrisiko, das nicht ausgeschlossen werden kann. Aus der Art und Konstruktion des Werkzeugs können die folgenden potentiellen Gefährdungen abgeleitet werden:

- Unbeabsichtigtes in Betrieb setzen des Produktes
- Wegschleudern von Gegenständen durch den Luftstrahl
- Schädigung des Gehöres, wenn kein vorgeschriebener Gehörschutz getragen wird
- Einatmen von Laub, Staub und aufgewirbelten Partikeln

Werden die in der Betriebsanleitung enthaltenen Anweisungen nicht beachtet, können aufgrund unsachgemäßer Benutzung andere Restrisiken auftreten.

2. Sicherheitshinweise

ACHTUNG! Lesen Sie sämtliche Hinweise und Anleitungen und stellen Sie sicher, dass Sie alles verstanden haben. Die Missachtung von im Folgenden enthaltenen Hinweisen und Anleitungen kann Stromschlag, Feuer und/oder ernsthafte Verletzungen nach sich ziehen. Im Folgenden steht die Bezeichnung „Elektrowerkzeug“ stets für das von Ihnen erworbene netzbetriebene (kabelgebundene) bzw. akkubetriebene (kabellose) Elektrowerkzeug.

Bewahren Sie diese Hinweise und Anleitungen sorgfältig auf.

2.1 Arbeitsbereich

- **Halten Sie den Arbeitsbereich sauber und achten Sie auf ausreichende Beleuchtung.** Unordentliche und schlecht beleuchtete Arbeitsbereiche begünstigen Unfälle.
- **Betreiben Sie Elektrowerkzeuge niemals in explosionsgefährdeten Umgebungen wie etwa in der Nähe von leicht entzündlichen Flüssigkeiten, Gasen oder Stäuben.** Elektrowerkzeuge erzeugen Funken, welche Stäube oder Dämpfe entzünden können.
- **Halten Sie Kinder und Unbeteiligte fern, während Sie mit einem Elektrowerkzeug arbeiten.** Ablenkungen können zum Verlust der Kontrolle über das Gerät führen.

2.2 Elektrische Sicherheit

- **Vermeiden Sie Körperkontakt mit geerdeten Oberflächen wie Rohrleitungen, Heizkörpern, Küchenherden und Kühlschränken.** Wenn Ihr Körper geerdet ist, besteht ein erhöhtes Stromschlagrisiko.
- **Setzen Sie Elektrowerkzeuge niemals Regen oder nassen Umgebungsbedingungen aus.** Wasser, das in ein Elektrowerkzeug eindringt, erhöht das Stromschlagrisiko.

2.3 Persönliche Sicherheit

- **Seien Sie stets aufmerksam, konzentrieren Sie sich auf Ihre Arbeit und gehen Sie mit Vernunft vor, wenn Sie mit einem Elektrowerkzeug arbeiten.** Benutzen Sie das Elektrowerkzeug nicht, wenn Sie müde sind oder unter dem Einfluss von Drogen, Alkohol oder Medikamenten stehen. Beim Arbeiten mit Elektrowerkzeugen kann schon ein einziger Moment der Unachtsamkeit zu ernsthaften Verletzungen führen.
- **Tragen Sie persönliche Schutzausrüstung. Tragen Sie stets eine Schutzbrille.** Das Tragen persönlicher Schutzausrüstung wie Staubmaske, rutschfeste Sicherheitsschuhe, Schutzhelm oder Gehörschutz (je nach den gegebenen Arbeitsbedingungen) verringert die Verletzungsgefahr.

- **Vermeiden Sie eine unbeabsichtigte Inbetriebnahme.** Vergewissern Sie sich, dass das Elektrowerkzeug ausgeschaltet ist, bevor Sie es an die Stromversorgung und/oder den Akku anschließen, es aufnehmen oder tragen. Wenn Sie beim Tragen des Elektrowerkzeugs den Finger am Schalter haben oder das Gerät eingeschaltet an die Stromversorgung anschließen, kann dies zu Unfällen führen.
- **Entfernen Sie alle Einstellwerkzeuge bzw. Schraubenschlüssel, bevor Sie das Gerät einschalten.** Ein Schraubenschlüssel oder sonstiges Werkzeug, der bzw. das sich an einem rotierenden Teil des Elektrogeräts befindet, kann zu Verletzungen führen.
- **Lehnen Sie sich nicht zu weit vor.** Achten Sie stets auf einen sicheren Stand. Dies ermöglicht Ihnen eine bessere Kontrolle über das Elektrowerkzeug in unerwarteten Situationen.
- **Tragen Sie angemessene Kleidung.** Tragen Sie keine weite Kleidung und keinen Schmuck. Halten Sie Haar, Kleidung und Handschuhe von beweglichen Teilen fern. Weite Kleidung, Schmuck oder langes Haar können sich in beweglichen Teilen verfangen.
- **Wenn Staubabsaug- und -auffangvorrichtungen montiert werden können, vergewissern Sie sich, dass diese angeschlossen sind und richtig verwendet werden.** Das Verwenden dieser Vorrichtungen verringert Gefährdungen durch Staub.

2.4 Gebrauch und Pflege von Elektrowerkzeugen

- **Überlasten Sie das Gerät nicht. Verwenden Sie das für Ihre Anwendung geeignete Elektrowerkzeug.** Mit dem geeigneten Elektrowerkzeug erledigen Sie Ihre Arbeit besser und sicherer innerhalb des vorgesehenen Leistungsbereichs.
- **Verwenden Sie das Elektrowerkzeug nicht, wenn es sich nicht über den Schalter ein- und ausschalten lässt.** Ein Elektrowerkzeug, das sich nicht mehr über den vorgesehenen Schalter ein- oder ausschalten lässt, ist gefährlich und muss repariert werden.
- **Nehmen Sie den Akku aus dem Gerät, bevor Sie Geräteeinstellungen vornehmen, Zubehörteile wechseln oder das Gerät weglegen.** Diese Vorsichtsmaßnahme verhindert den unbeabsichtigten Start des Gerätes.
- **Lagern Sie unbenutzte Elektrowerkzeuge außerhalb der Reichweite von Kindern und lassen Sie nicht zu, dass Personen, die mit dem Elektrowerkzeug oder den vorliegenden Hinweisen nicht vertraut sind, das Gerät verwenden.** Elektrowerkzeuge sind gefährlich, wenn Sie von unerfahrenen Personen verwendet werden.
- **Warten Sie Ihre Elektrowerkzeuge.** Achten Sie auf korrekte Ausrichtung und Befestigung beweglicher Teile sowie im Allgemeinen auf Bruchstellen und sonstige Fehler, die sich auf den ordnungsgemäßen Betrieb des Elektrogeräts auswirken können. Lassen

Sie das Elektrowerkzeug bei Defekten reparieren, bevor Sie es verwenden. Viele Unfälle sind das Ergebnis schlecht gewarteter Elektrowerkzeuge.

- **Verwenden Sie das Elektrowerkzeug sowie alle Zubehörteile, Werkzeugaufsätze usw. gemäß den vorliegenden Anleitungen und in der für den jeweiligen Werkzeugtyp vorgesehenen Art und Weise; beachten Sie dabei stets die Arbeitsbedingungen und die beabsichtigte Arbeit.** Die Verwendung des Elektrowerkzeugs für andere als die vorgesehenen Arbeiten kann zu gefährlichen Situationen führen.

2.5 Sorgfältiger Umgang und Gebrauch von Akkugeräten

- **Stellen Sie sicher, dass das Gerät ausgeschaltet ist, bevor Sie den Akku einsetzen.** Das Einsetzen eines Akkus in ein Elektrowerkzeug, das eingeschaltet ist, kann zu Unfällen führen.
- **Laden Sie die Akkus nur in Ladegeräten auf, die vom Hersteller empfohlen werden.** Für ein Ladegerät, das für eine bestimmte Art von Akku geeignet ist, besteht Brandgefahr, wenn es mit anderen Akkus verwendet wird.
- **Verwenden Sie nur die dafür vorgesehenen Akkus in den Elektrowerkzeugen.** Der Gebrauch von anderen Akkus kann zu Verletzungen und Brandgefahr führen.
- **Halten Sie den nicht benutzten Akku fern von Büroklammern, Münzen, Schlüsseln, Nägeln, Schrauben oder anderen kleinen Metallgegenständen, die eine Überbrückung der Kontakte verursachen können.** Ein Kurzschluss zwischen den Akkukontakten kann Verbrennungen oder Feuer zur Folge haben.
- **Bei falscher Anwendung kann Flüssigkeit aus dem Akku austreten. Vermeiden Sie den Kontakt damit. Bei zufälligem Kontakt mit Wasser abspülen. Wenn die Flüssigkeit in die Augen kommt, nehmen Sie zusätzlich ärztliche Hilfe in Anspruch.** Austretende Akkuflüssigkeit kann zu Hautreizungen oder Verbrennungen führen.

2.6 Service

- **Lassen Sie Ihr Elektrowerkzeug von qualifiziertem Fachpersonal und unter ausschließlicher Verwendung von Originalteilen reparieren.** Damit wird sichergestellt, dass die Sicherheit des Geräts erhalten bleibt.

2.7 Sicherheitshinweise für Ladegeräte und Akkus (nicht im Lieferumfang enthalten)

- Lesen Sie die Vorschriften und Sicherheitshinweise, bevor Sie den Akku laden.
- Verwenden Sie zum Laden des Akkus ausschließlich das vorgeschriebene Ladegerät.
- Laden Sie keine anderen Akkus mit diesem Ladegerät. Das Ladegerät darf nur zusammen mit dem dazugehörigen Akku verwendet werden.

- Verwenden Sie das Ladegerät ausschließlich in einer trockenen Umgebung bei einer Temperatur zwischen 10 °C und 40 °C.
- Verwenden Sie kein beschädigtes Ladegerät.
- Lassen Sie das Ladegerät und den Akku ausschließlich von einer zugelassenen Kundendienstwerkstatt reparieren
- Vermeiden Sie einen Kurzschluss des Akkus. Sorgen Sie dafür, dass die Anschlüsse des Akkus nicht mit Metallgegenständen in Berührung kommen.
- Bewahren Sie den Akku nicht an Orten auf, wo die Temperatur einen Wert von 40 °C erreichen kann, z.B. in einem in der Sonne geparkten Auto.
- Setzen Sie das Ladegerät und den Akku keiner Nässe aus.
- Verbrennen Sie den Akku nicht.
- Versuchen Sie nie, den Akku zu öffnen.
- Falls die Akkufflüssigkeit (eine 25 bis 30% starke Kaliumhydroxidlösung) mit der Haut in Berührung kommt, spülen Sie sofort mit reichlich Wasser. Neutralisieren Sie die Lösung mit einer milden Säure, wie Zitronensaft oder Essig. Falls die Lösung mit den Augen in Berührung kommt, spülen Sie mindestens 10 Minuten lang mit fließendem Wasser und wenden sich anschließend an einen Arzt.

Batterie sicher entsorgt:

Dass dieses Produkt nicht über den Hausmüll entsorgt werden darf. Altgeräte enthalten wertvolle recyclingfähige Materialien, die einer Wiederverwertung zugeführt werden sollten und um der Umwelt bzw. der menschlichen Gesundheit nicht durch unkontrollierte Müllbeseitigung zu schaden. Bitte entsorgen Sie Altgeräte deshalb über geeignete Sammelsysteme oder senden Sie das Gerät zur Entsorgung an Mantis. Diese wird dann das Gerät zur stofflichen Verwertung zuführen. Werfen Sie Ihr Elektrowerkzeug am Ende der langen Lebensdauer nicht einfach in den Mülleimer, sondern entsorgen Sie es in einer umweltfreundlichen Weise.

Auslaufen der Batterie:

Im Falle einer undichten Zelle darauf achten, dass austretende Flüssigkeit nicht in Kontakt mit der Haut oder den Augen kommt.

Wenn dies passiert, spülen Sie den betroffenen Bereich mit reichlich Wasser und konsultieren Sie einen Arzt. Ausgetretene Flüssigkeit mit einem trockenen Tuch abwischen und zusammen mit dem Altgerät über geeignete Sammelsysteme entsorgen.

2.8 Allgemeine Sicherheitshinweise

- Dieses Gerät ist nicht dafür bestimmt, durch Personen (einschließlich Kinder) mit eingeschränkten physischen, sensorischen oder geistigen Fähigkeiten oder mangels Erfahrung und/oder mangels Wissen benutzt zu werden, es sei denn, sie werden durch eine für ihre Sicherheit zuständige Person beaufsichtigt oder

erhielten von ihr Anweisungen, wie das Gerät zu benutzen ist.

- Kinder sollten beaufsichtigt werden, um sicherzustellen, dass sie nicht mit dem Gerät spielen.

1) Einweisung

1. Lesen Sie die Anweisungen sorgfältig. Seien Sie mit den Bedienelementen und dem richtigen Gebrauch des Gerätes vertraut.
2. Erlauben Sie Kindern niemals den Gebrauch des Gerätes.
3. Erlauben Sie niemals Personen, welche mit diesen Anweisungen nicht vertraut sind das Gerät zu betreiben. Örtliche Regularien können das Alter des Bedieners einschränken.
4. Betreiben Sie das Gerät niemals während Personen, besonders Kinder, oder Haustiere in der Nähe sind.
5. Der Betreiber oder Benutzer ist verantwortlich für Unfälle oder Gefahren anderer Personen oder dessen Besitzes.

2) Vorbereitung

1. Tragen Sie immer angemessenes Schuhwerk und lange Hosen während Sie das Gerät betreiben.
2. Kleiden Sie sich richtig – Tragen Sie keine lose Kleidung oder Schmuck. Sie können sich in beweglichen Teilen verfangen. Die Benutzung von Gummihandschuhen und angemessenem-3 Schuhwerk wird für den Betrieb im Freien empfohlen.
3. Tragen Sie Haarschutz um langes Haar zurückzuhalten: Gefahr durch Einsaugung. Tragen Sie eine Schutzbrille während des Betriebs.
4. Das Tragen einer Staubmaske wird empfohlen um Reizungen durch Staub vorzubeugen.
5. Betreiben Sie das Gerät nicht mit beschädigten Schutzschildern oder Abdeckungen, oder ohne sich am Platz befindlichen Sicherheitsanrichtungen, wie z. B. den Unratsammler.

3) Operation

1. Bauen Sie den Akkublock aus:
 - wenn Sie das Gerät nicht benutzen, es transportieren oder es unbeaufsichtigt lassen;
 - wenn Sie das Gerät kontrollieren, es reinigen oder Blockierungen entfernen;
 - wenn Sie Reinigungs- oder Wartungsarbeiten vornehmen oder Zubehör auswechseln;
 - nach dem Kontakt mit Fremdkörpern oder bei abnormaler Vibration.
2. Vermeiden Sie gefährliche Umgebungen – Benutzen Sie das Gerät nicht in feuchten oder nassen Umgebungen.
3. Betreiben Sie das Gerät nur bei Tageslicht oder bei guter künstlicher Beleuchtung.
4. Greifen sie nicht über und halten zu jeder Zeit Ihr Gleichgewicht.

5. Vergewissern Sie sich an Abhängen immer einen festen Stand zu haben.
6. Gehen Sie, rennen Sie niemals.
7. Halten sie alle Kühlungs-lufterlässe frei von Verschmutzungen.
8. Blasen Sie Unrat niemals in die Richtung von Umstehenden.

4) Wartung und Aufbewahrung

Vor jeder Reinigung oder Wartung das Gerät ausschalten und den Akku entnehmen.

1. Halten Sie alle Muttern, Bolzen und Schrauben sauber um sicherzustellen das das Gerät sich in guter Arbeitsbedingung befindet.
2. Prüfen Sie das Gerät regelmäßig auf Verschleiß oder Verschlechterung.
3. Ersetzen Sie abgenutzte oder beschädigte Teile.
4. Benutzen Sie nur Originalersatzteile und Zubehör.
5. Lagern Sie stillstehende Geräte im Inneren – Geräte sollten im Inneren, an trockenen und hohen oder verschlossenen Plätzen – außerhalb der Reichweite von Kindern – gelagert werden wenn sie nicht im Betrieb sind.

2.9 Sicherheitshinweise für Laubbläser

- Die Maschine ist nur für den privaten Gebrauch vorgesehen. Sie darf nicht in öffentlichen Grünanlagen, Parkanlagen, Sporteinrichtungen, auf Grünstreifen und in Landwirtschaft und Forstwesen benutzt werden.
- Die Maschine darf nur zu vernünftigen Zeiten betrieben werden - nicht früh morgens oder spät abends, wenn andere gestört werden könnten. Die bei den örtlichen Behörden gelisteten Zeiten sind zu befolgen.
- Ein Gefühl des Krabbelns oder der Taubheit an den Händen ist ein Hinweis auf übermäßige Vibration. Begrenzen Sie die Einsatzzeit, legen Sie eine ausreichend lange Arbeitspausen ein, teilen Sie die Arbeit auf mehrere Personen auf oder tragen Sie Antivibrations-Schutzhandschuhe bei langandauernder Verwendung des Gerätes.
- Eine gewisse Lärmbelastung durch dieses Gerät ist nicht vermeidbar. Verlegen Sie lärmintensive Arbeiten auf zugelassene und dafür bestimmte Zeiten. Halten Sie sich ggf. an Ruhezeiten und beschränken sie die Arbeitsdauer auf das Notwendigste. Zu ihrem persönlichen Schutz und Schutz in der Nähe befindlicher Personen ist ein geeigneter Gehörschutz zu tragen.
- Die Maschine ist mit der möglichst niedrigsten Motordrehzahl zur Ausführung der Arbeiten zu betreiben.
- Vor Blasbeginn sind mit Rechen und Besen Fremdkörper zu entfernen.
- Bei staubigen Bedingungen ist die Oberfläche leicht zu befeuchten oder, wenn vorhanden, ein Bewässerungs-Anbauteil zu benutzen.
- Der gesamte Blasdüsenaufsatz ist zu verwenden, damit der Luftstrom nah am Boden arbeiten kann.

- Achten Sie auf Kinder, Haustiere, offene Fenster und blasen Sie die Fremdkörper sicher weg.

Vorbereitung:

1. Überzeugen Sie sich vor Arbeitsbeginn immer vom einwandfreien Zustand Ihres Gerätes. Arbeiten Sie nicht mit Ihrem Laubbläser, wenn irgendwelche Geräteteile defekt oder abgenutzt sind.
2. Halten Sie andere Personen, insbesondere Kinder oder Haustiere von dem laufenden Gerät fern. Halten Sie o.g. Personen wenigstens 6 Meter von Ihrem Arbeitsgebiet fern.
3. Scharfkantige, spitze, heiße oder glühende Stoffe vorher wegräumen.
4. Vermeiden Sie unbeabsichtigten Anlauf: Vergewissern Sie sich, dass der Schalter beim Anschluss an das Stromnetz ausgeschaltet ist.

Bedienung:

1. Bedienen Sie das Gerät nicht barfuß oder in offenen Sandalen. Tragen Sie immer festes Schuhwerk oder Stiefel um Ihre Füße zu schützen - frisch geschnittenes Gras ist feucht und rutschig. Schuhe aus Gummi oder handgearbeitete Schuhe erhöhen die Sicherheit. Tragen Sie lange Hosen zum Schutz Ihrer Beine. Tragen Sie beim Arbeiten mit dem Laubbläser immer eine Schutzbrille oder entsprechende Sicherheitsgläser. Tragen Sie einen Lärmschutz, sobald der Lärmpegel des Arbeitens unangenehm wird.
2. Langes Haar hochstecken, damit es nicht länger als schulterlang ist. Lose sitzende Kleidung, Krawatten, Quasten und herabhängende Riemen von Öffnungen und beweglichen Teilen fernhalten.
3. Richten Sie das Rohr niemals auf Menschen oder Fenster.
4. Dieses Gerät darf nur wie angegeben bestimmungsgemäß verwendet werden.
5. Schalten Sie den Gerät aus, bevor Sie die Blasrohre montieren bzw. demontieren. Warten Sie, bis der Motor im Stillstand ist.
6. Achten Sie immer darauf, dass Sie sicher stehen und nicht das Gleichgewicht verlieren – vor allem dann, wenn Sie an Hanglagen arbeiten.

Pflege/Instandhaltung:

1. Schalten Sie nach dem Gebrauch und vor jeder Säuberung das Gerät aus.
2. Versuchen Sie nicht, das Gerät zu reparieren. Reparaturen nur von einer Fachkraft/vom Kundendienst ausführen lassen.
3. Verwenden Sie nur Original-Ersatz- und Zubehörteile. Die Benutzung von Zubehörteilen, die vom Hersteller nicht ausdrücklich empfohlen werden, kann Verletzungen oder Beschädigungen verursachen.
4. Bewahren Sie den Laubbläser stets an einem trockenen Ort außerhalb der Reichweite von Kindern auf. Setzen Sie das Gerät keinen Lösungsmitteln aus.

3. Auspacken

Durch den Einsatz moderner Massenproduktionstechniken ist es unwahrscheinlich, dass Ihr Elektrowerkzeug fehlerhaft ist oder dass Teile fehlen. Sollten Sie dennoch einen Fehler finden oder feststellen, dass das Gerät unvollständig ist, verwenden Sie das Gerät nicht, bis die betreffenden Teile ersetzt bzw. vorhandene Fehler behoben wurden. Die Missachtung dieser Anweisung kann ernsthafte Verletzungen zur Folge haben.

4. Montage

4.1 Einsetzen und Entfernen des Akkus (nicht im Lieferumfang enthalten)

 **ACHTUNG! Schalten Sie immer das Werkzeug aus, bevor Sie den Akku aus- oder einstecken.**

1. Wenn Sie den Akku aus dem Werkzeug herausnehmen wollen, drücken Sie die Verriegelungstasten auf beiden Seiten, und ziehen Sie den Akku aus dem Werkzeug (Abb. 1).
2. Um den Akku in das Werkzeug einzusetzen, zuerst den Sockel des Akkus mit der Führung im Gehäuse auf eine Linie bringen (Abb. 2). Anschließend den Akku in das Werkzeug schieben (Abb. 1) bis die Verriegelung hörbar einrastet. Der Akku muss fest einrasten, da es sonst zu Verletzung für Sie oder andere Menschen kommen kann.

 **WARNUNG! Verwenden Sie nur den vom Hersteller vorgegebenen Akku.**

4.2 Montage des Rohrs (Abb. 3)

 Betreiben Sie das Gerät nicht, bevor das Rohr vorschriftsmäßig am Gebläsegehäuse montiert ist.

1. Schieben Sie das Blasrohr mit den Führungsstegen (A) über die beiden Führungsnoppen (B) am Gebläsegehäuse.
2. Drehen Sie das Rohr im Uhrzeigersinn bis es einrastet.

5. Betrieb

5.1 Starten und Stoppen (Abb. 4)

1. Starten: Einschaltperre (1) drücken; anschließend Schalter (2) betätigen. Die Einschaltperre (1) muss im Betrieb nicht mehr gedrückt werden.
2. Mit dem Drehknopf (4) kann die Blasgeschwindigkeit stufenlos reguliert werden.
3. Nach dem Einschalten kann durch Drücken der Turbotaste (3) die höchste Blasgeschwindigkeit eingeschaltet werden. Die höhere Blasleistung wird nur erzeugt, solange Sie die Turbotaste gedrückt halten.


5.2 Blasfunktion

- Vor jeder Inbetriebnahme kontrollieren Sie das Gerät auf einwandfreien Zustand.
- Untersuchen Sie vor dem Start den Arbeitsbereich. Entfernen Sie mit einem Besen oder Rechen alle Gegenstände oder Abfälle, die vom Laubbläser weggeschleudert werden können.
- Staubigen Boden gegebenenfalls leicht anfeuchten.

5.3 Arbeitshinweise (Abb. 5)

- Halten Sie das Blasrohr wie in der Abbildung 5 gezeigt etwa 20 cm über dem Boden, schalten Sie das Gerät ein und schwingen Sie damit leicht von einer Seite zur anderen. Blasen Sie den Abfall zu einem Haufen zusammen. Halten Sie den Luftstrom nicht in die Mitte des Abfallhaufens.
- Passen Sie die Blastleistung den Erfordernissen an.
- Achten Sie darauf, dass Sie den Luftstrom nicht auf Kinder, Haustiere, offene Fenster oder Autos richten.
- Während des Betriebes die Lüftungsschlitze stets frei halten, um eine Überhitzung zu vermeiden.
- Gerät nicht auf nassen Böden verwenden.
- Nach der Arbeit das Gerät reinigen.

6. Reinigung und Lagerung

 **ACHTUNG - Verletzungsgefahr! Entfernen Sie vor allen Arbeiten unbedingt den Akku aus dem Gerät.**

Alle beschädigten und verschlissenen Teile müssen ersetzt werden, damit der Laubbläser betriebssicher bleibt.

1. Lüftungsschlitze und Öffnungen mit einer Bürste reinigen.
2. Verwenden Sie bitte keine Lösungsmittel oder Reinigungsmittel, die Chemikalien enthalten, welche die Plastikteile beschädigen könnten. Das Gehäuse mit einem Tuch abwischen.
3. Bewahren Sie das Gerät trocken und frostsicher auf, außerhalb der Reichweite von Kindern.
4. Lagern und laden Sie Ihren Akku an einem kühlen Ort. Temperaturen oberhalb oder unterhalb der normalen Raumtemperatur verkürzen die Lebensdauer des Akkus.
5. Lagern Sie Akkus nicht im entladenen Zustand. Warten Sie, bis der Akku abgekühlt ist und laden Sie ihn vollständig auf.
6. Akkus verlieren allmählich ihre Ladung. Je höher die Temperatur, desto schneller verlieren sie ihre Ladung. Bei längerer Lagerung den Akku jeden Monat oder zweiten Monat wieder aufladen. Dadurch wird die Lebensdauer des Akkus verlängert.

ACHTUNG!

Für weitergehenden Wartungs- bzw. Reparaturarbeiten kontaktieren Sie bitte Ihren Mantis Kundendienst.

7. Entsorgung und Umweltschutz

Führen Sie das Gerät einer ordnungsgemäßen Entsorgung zu, wenn es einmal ausgedient hat. Trennen Sie das Netzkabel ab, um Missbrauch zu vermeiden. Entsorgen Sie das Gerät nicht über den Hausmüll, sondern geben Sie es im Interesse des Umweltschutzes an einer Sammelstelle für Elektrogeräte ab. Ihre zuständige Kommune informiert Sie gerne über Adressen und Öffnungszeiten. Geben Sie auch Verpackungsmaterialien und abgenutzte Zubehöreile an den vorgesehenen Sammelstellen ab.



Nur für EU-Länder

Werfen Sie Elektrowerkzeuge nicht in den Hausmüll!

Gemäß europäischer Richtlinie 2012/19/EU über Elektro- und Elektronik- Altgeräte und Umsetzung in nationales Recht müssen verbrauchte Elektrowerkzeuge getrennt gesammelt werden und einer umweltgerechten Wiederverwertung zugeführt werden.

Recycling-Alternative zur Rücksendeaufforderung:

Der Eigentümer des Elektrogerätes ist alternativ anstelle Rücksendung zur Mitwirkung bei der sachgerechten Verwertung im Falle der Eigentumsaufgabe verpflichtet. Das Altgerät kann hierfür auch einer Rücknahmestelle überlassen werden, die eine Beseitigung im Sinne der nationalen Kreislaufwirtschafts und Abfallgesetze durchführt. Nicht betroffen sind den Altgeräten beigefügte Zubehöreile und Hilfsmittel ohne Elektrobestandteile.

8. Reparaturdienst



ACHTUNG! Elektrische Reparaturarbeiten dürfen nur von einem Elektrofachmann bzw. Kundendienstwerkstatt durchgeführt werden!

Bitte beschreiben Sie bei der Einsendung zur Reparatur den von Ihnen festgestellten Fehler.

Europa MANTIS SARL
Verbindungsbüro Deutschland
Lebacher Strasse 4
66113 SAARBRÜCKEN

9. Ersatzteile

Falls Sie Zubehör oder Ersatzteile benötigen, wenden Sie sich bitte an unseren Service.

Verwenden Sie für die Arbeit mit diesem Gerät keinerlei Zusatzteile außer denjenigen, die von unserem Unternehmen empfohlen werden. Andernfalls können der Bediener oder in der Nähe befindliche Unbeteiligte ernsthafte Verletzungen erleiden, oder das Gerät kann beschädigt werden.

Bei der Ersatzteilbestellung sollten folgende Angaben gemacht werden:

- Typ des Gerätes
- Artikelnummer des Gerätes

10. Gewährleistung- und Garantiebedingungen

Für dieses Elektrowerkzeug leisten wir unabhängig von den Verpflichtungen des Händlers aus dem Kaufvertrag gegenüber dem Endabnehmer wie folgt Garantie:

Die Garantiezeit beträgt 24 Monate und beginnt mit der Übergabe die durch Originalkaufbeleg nachzuweisen ist. Bei kommerziellem Einsatz sowie Verleih reduziert sich die Garantiezeit auf 12 Monate. Ausgenommen von der Garantie sind Verschleißteile, Akkus und Schäden die durch Verwendung falscher Zubehöreile, Reparaturen mit Nichtoriginalteilen, Gewaltanwendungen, Schlag und Bruch sowie mutwillige Motorüberlastung entstanden sind. Garantieaustausch erstreckt sich nur auf defekte Teile, nicht auf komplette Geräte. Garantiereparaturen dürfen nur von autorisierten Werkstätten oder vom Werkskundendienst durchgeführt werden. Bei Fremdeingriff erlischt die Garantie.

Porto, Versand- und Nachfolgekosten gehen zu Lasten des Käufers.

11. Technische Daten

Akku-Laubbläser	BBLOW40-25
Betriebsspannung	40 V DC
Akkutyp *	BAT40-25
Betriebsspannung / Akkukapazität / Akku Leistung	Li-Ion 40 V / 2,5 Ah / 100 Wh
Ladestation *	QCHARG40 Schnell-Lader CHARG40 Ladegerät
Laufzeit max.	ca. 10 - 60 min
Blasgeschwindigkeit	320 km/h
Gewicht	2,7 kg
Schalldruck L_{pA} (EN 50636-2-100:2014)	85 dB(A) $K = 3,0$ dB
Schalleistungspegel L_{WA} (2000/14/EG)	96 dB(A)
Vibrationen (EN 50636-2-100:2014)	$\leq 2,5 \text{ m/s}^2$ $K = 1,5 \text{ m/s}^2$

* nicht im Lieferumfang enthalten

Technische Änderungen bleiben vorbehalten.

WARNUNG! Der Vibrationsemissionswert kann während des tatsächlichen Gebrauchs des Elektrowerkzeugs vom angegebenen Wert abweichen, je nachdem, wie das Werkzeug gemäß folgender Beispiele und anderweitiger Verwendungsmöglichkeiten eingesetzt wird:

- Wie das Werkzeug verwendet wird und welche Materialien geschnitten werden.
- Das Werkzeug ist in gutem Zustand und gut gepflegt. Verwendung des richtigen Zubehörs für das Werkzeug und Gewährleistung seiner Schärfe und seines guten Zustands.
- Die Festigkeit der Handgriffe und ob Antivibrationszubehör verwendet wird.
- Ob das verwendete Werkzeug dem Design und diesen Anweisungen entsprechend verwendet wird.
- Wird dieses Werkzeug nicht angemessen gehandhabt, kann es ein Hand-Arm-Vibrationssyndrom erzeugen.

WARNUNG! Um sicher zu sein, sollte eine Abschätzung des Belastungsgrades aller Arbeitsabschnitte während der tatsächlichen Verwendung berücksichtigt werden, z.B. die Zeiten, in denen das Werkzeug ausgeschaltet ist und wenn es sich im Leerlauf befindet. Auf diese Weise kann der Belastungsgrad während der gesamten Arbeitszeit wesentlich gemindert werden.


Minimieren Sie ihr Risiko, wenn Sie Vibrationen ausgesetzt sind.

Pflegen Sie das Werkzeug diesen Anweisungen entsprechend und achten Sie auf eine gute Einfettung (wo erforderlich).

Bei regelmäßiger Verwendung dieses Werkzeugs sollten Sie in Antivibrationszubehör investieren.

Vermeiden Sie den Einsatz von Werkzeugen bei Temperaturen von 10°C oder darunter. Machen Sie einen Arbeitsplan, um die Verwendung von hochvibrierenden Werkzeugen auf mehrere Tage zu verteilen.

Angaben zur Geräuschemission gemäß Produktsicherheitsgesetz (ProdSG) bzw. EG-Maschinenrichtlinie: Der Schallleistungspegel am Arbeitsplatz kann 80 dB (A) überschreiten. In dem Fall sind Schallschutzmaßnahmen für den Bediener erforderlich (z.B. Tragen eines Gehörschutzes).

 **Bitte beachten Sie!** Dieses Gerät darf in Wohngebieten nach der deutschen Maschinenlärmschutzverordnung vom September 2002 an Sonn- und Feiertagen sowie an Werktagen von 20:00 Uhr bis 7:00 Uhr nicht in Betrieb genommen werden.

Beachten Sie zusätzlich auch die landesrechtlichen Vorschriften zum Lärmschutz!

12. EU-Konformitätserklärung



Wir, **MOGATEC Moderne Gartentechnik GmbH, Im Grund 14, 09430 Drebach / OT Grießbach, Germany**, erklären in alleiniger Verantwortung, dass das Produkt **Akku-Laubbläser BBLOW45-25**, auf das sich diese Erklärung bezieht, den einschlägigen Sicherheits- und Gesundheitsanforderungen der EG-Richtlinie **2006/42/EG** (Maschinenrichtlinie), **2014/30/EU** (EMV-Richtlinie), **2011/65/EU** (RoHS-Richtlinie), **2000/14/EG** und **2005/88/EC** (Geräuschnrichtlinie) einschließlich aller Änderungen entspricht. Zur sachgerechten Umsetzung der in den EG-Richtlinien genannten Sicherheits- und Gesundheitsanforderungen wurden folgende Normen und/oder technische Spezifikation(en) herangezogen:

**EN 60335-1:2012+A11:2014; EN 50636-2-100:2014; EN 62233:2008; EN 50581:2012
EK9-BE-82:2013; EK9-BE-89:2014; EK9-BE-88:2014; EK9-BE-77(V3):2015; EK9-BE-91:2015
EN 55014-12006+A1:2009+A2:2011; EN 55014-2:1997+A1:2001+A2:2008**

gemessener Schalleistungspegel 95 dB(A)
garantierter Schalleistungspegel 96 dB (A)

Konformitätsbewertungsverfahren nach Anhang V / Richtlinie 2000/14/EG

Das Baujahr ist auf dem Typschild aufgedruckt und zusätzlich anhand der fortlaufenden Seriennummer feststellbar.

Münster, 07.11.2016



Matthias Fiedler, Senior Product Manager Ikra GmbH

Aufbewahrung der technischen Unterlagen: Ikra GmbH, Schlesierstrasse 36, 64839 Münster, Germany

